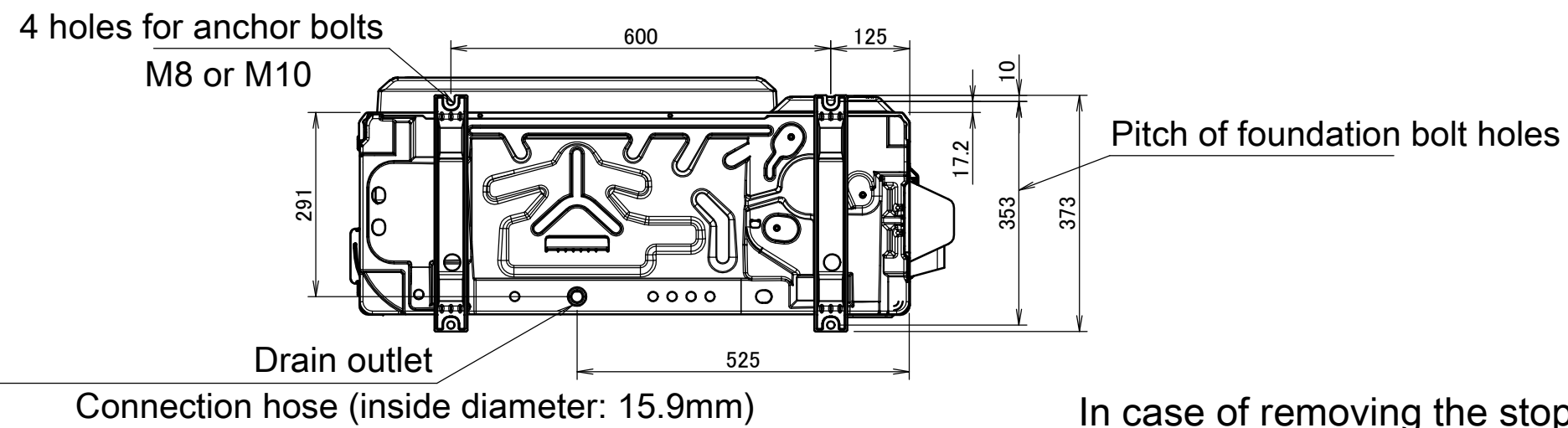
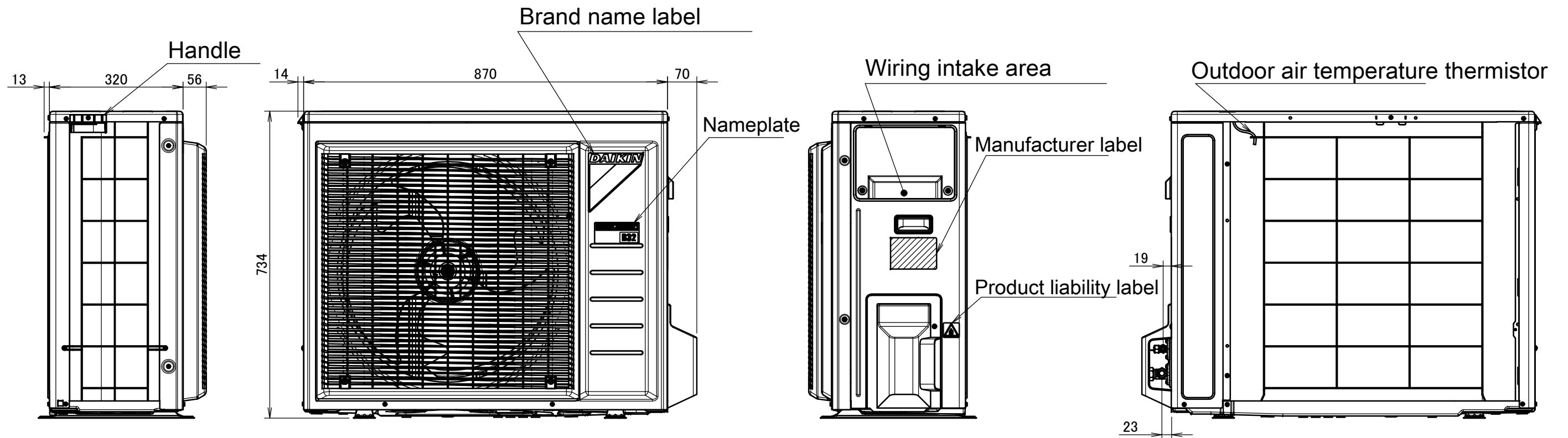


RXM42-60N



In case of removing the stop valve cover.

Minimum space for air passage
Wall height on air outlet side < 1200 mm

