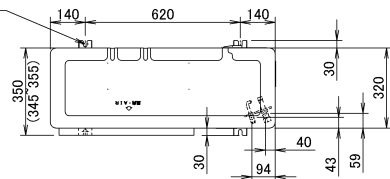
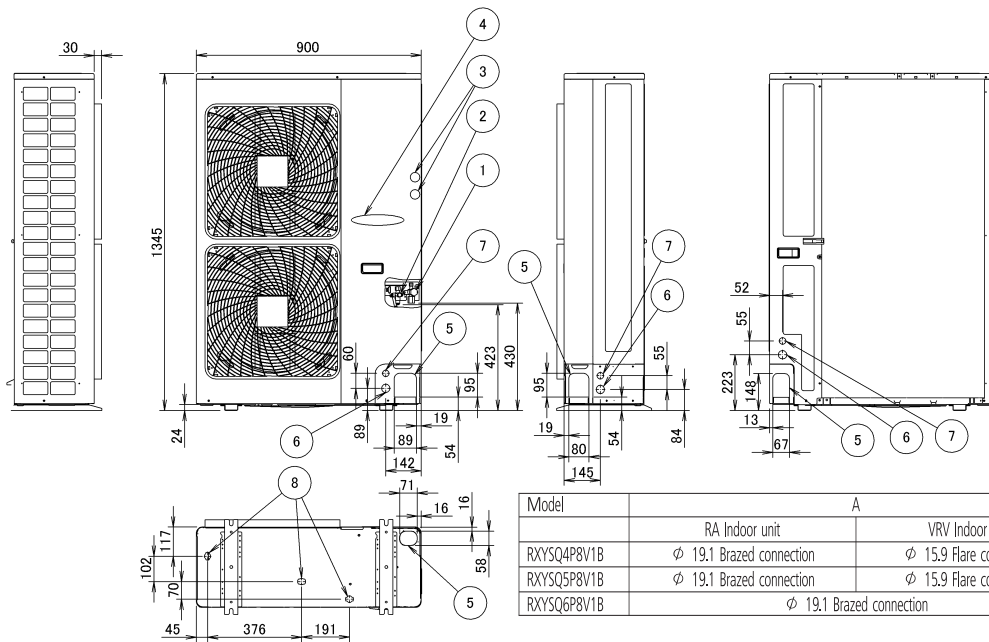


RXYSQ-P8V1

4 holes for anchor bolt
M12



- 1 Gas pipe connection A
- 2 Liquid pipe connection - ϕ 9.5 flare
- 3 (2x) Service port (in the unit)
- 4 Electronic connection and grounding terminal M5 (in switch box)
- 5 Refrigerant piping intake
- 6 Power supply wiring intake (Knockout hole ϕ 34)
- 7 Control wiring intake (Knockout hole ϕ 27)
- 8 Drain outlet



Model	A	
	RA Indoor unit	VRV Indoor unit
RXYSQ4P8V1B	ϕ 19.1 Brazed connection	ϕ 15.9 Flare connection
RXYSQ5P8V1B	ϕ 19.1 Brazed connection	ϕ 15.9 Flare connection
RXYSQ6P8V1B	ϕ 19.1 Brazed connection	