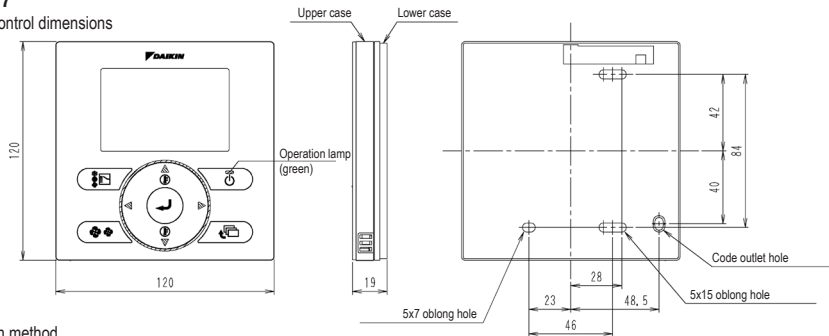


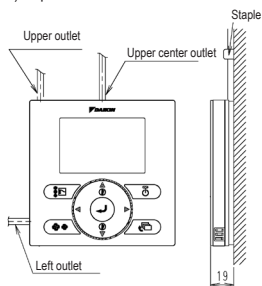
BRC1E52A7 BRC1E52B7

- Remote control dimensions

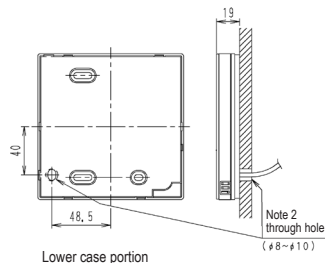


- Installation method

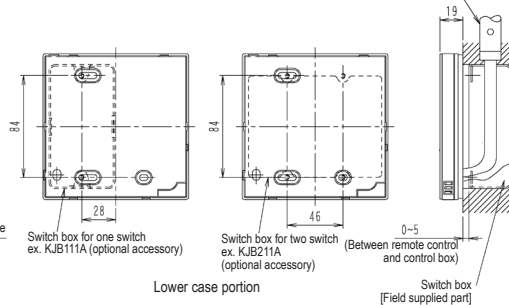
A) Exposed Cord



B) Embedded Cord



C) Embedded Cord (Use Switch Box)



NOTES

- Remote control cord and staple are not attached, they are field supplied parts.

Specifications of cord

Type	Vinyl cord with sheath or cable (insulated thickness: 1mm or more)
Size	0.75~1.25mm ²
Total length	500m

- If the hole size is too large or the location is not proper, the hole may come out from the remote control.