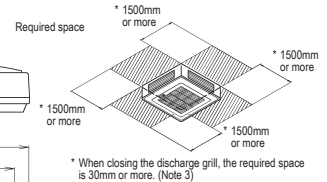
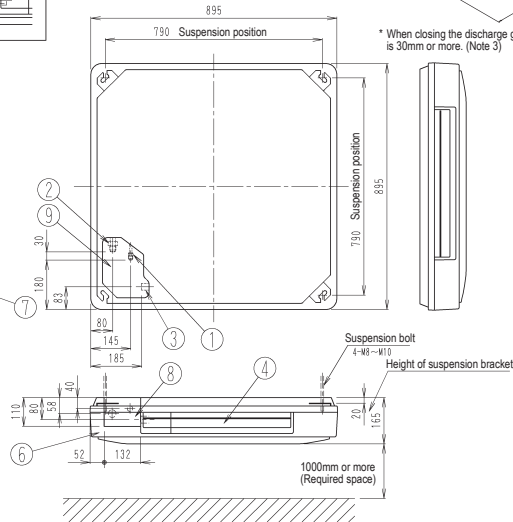
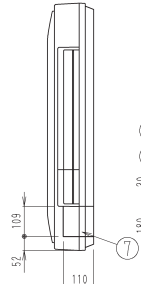
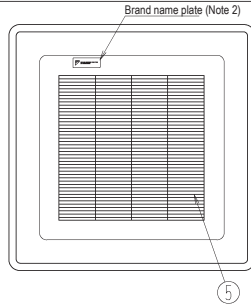


\* Drain pipe can be raised up to 500mm from the top surface of the product.



No.	Name	Description
1	Liquid pipe connection	ø 9.5 flare
2	Gas pipe connection	ø 15.9 flare
3	Drain pipe connection	VP20
4	Air outlet	
5	Air suction grille	
6	Corner decoration cover	
7	Right pipe / wiring connection	
8	Rear pipe / wiring connectin	
9	Pipe through cover	
10	Accessory drain elbow	

**NOTES**

1. Location for manufacture's label: on bell mouth.
2. This is where the signal of infrared remote control is received. Refer to the drawing of infrared remote control in detail.
3. When closing the discharge grill (2 or 3 way discharge), direction of pipe connection will be limited, please refer to installation manual.