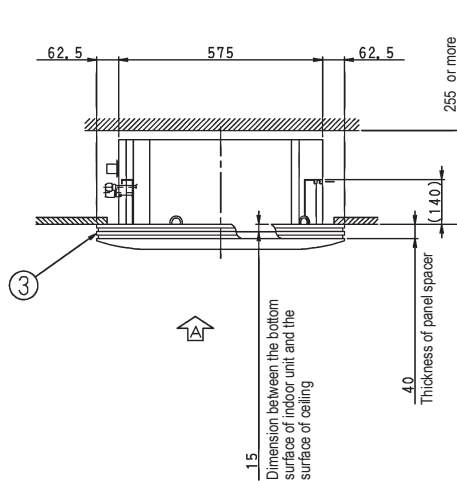
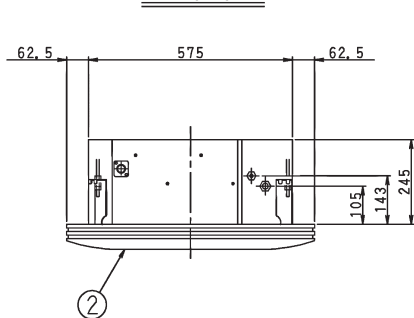
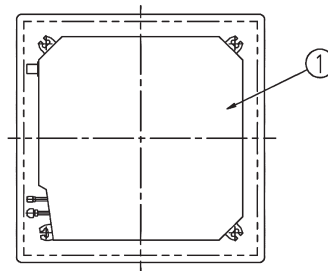


A Arrow view



1.5
Dimension between the bottom surface of indoor unit and the surface of ceiling

4.0
Thickness of panel spacer

Item	Name
1	Indoor unit
2	Decoration panel
3	Panel spacer