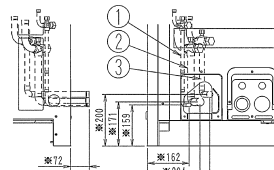
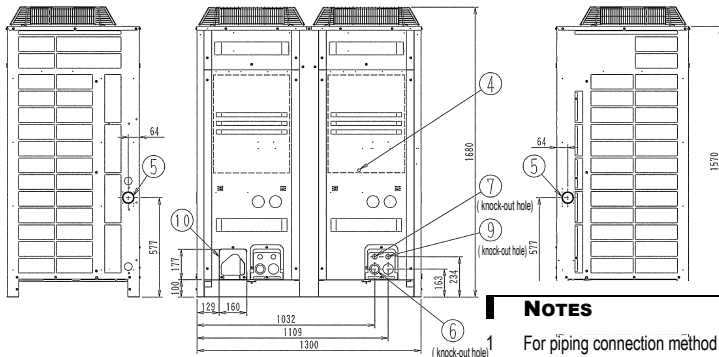
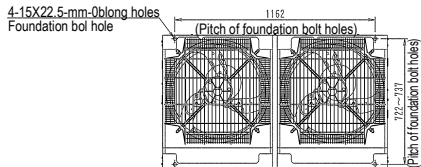
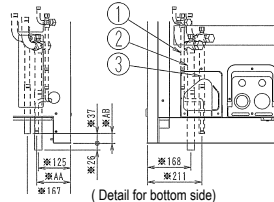


REYQ8,10,12,14,16P(8)



(Detail for front side)

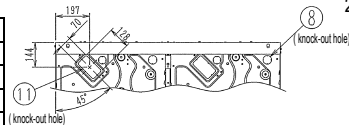


(Detail for bottom side)

NOTES

- For piping connection method (front and bottom sides) see the installation manual.
- High and low pressure gas pipe.
 ø 15.9 Brazing connection --- REYQ8PY1(B), REYQ8P8Y1B
 ø 19.1 Brazing connection --- REYQ10, 12PY1(B), REYQ10, 12P8Y1B
 ø 22.2 Brazing connection --- REYQ14, 16PY1(B), REYQ14, 16P8Y1B
 Suction gas pipe
 ø 19.1 Brazing connection --- REYQ8PY1(B), REYQ8P8Y1B
 ø 22.2 Brazing connection --- REYQ10PY1(B), REYQ10P8Y1B
 ø 28.6 Brazing connection --- REYQ12, 14, 16PY1(B), REYQ12, 14, 16P8Y1B
 Liquid pipe
 ø 9.5 Brazing connection --- REYQ8, 10PY1(B), REYQ8, 10P8Y1B
 ø 12.7 Brazing connection --- REYQ12, 14, 16PY1(B), REYQ12, 14, 16P8Y1B
- Piping connection diameter for field connection.
- * Shows the dimensions after fixing the accessory pipes.

Nr	Parts name	Remarks
1	Liquid pipe connection port	See note 2, 3
2	Suction gas pipe connection	See note 2, 3
3	High and low pressure gas pipe connection port	See note 2, 3.
4	Grounding terminal	Inside of switch box (MB)
5	Power cord routing hole (side)	ø 62
6	Power cord routing hole (front)	ø 45
7	Power cord routing hole (front)	ø 27
8	Power cord routing hole (bottom)	ø 50
9	Pipe routing hole (front)	ø 27
10	Pipe routing hole (front)	See note 1.
11	Pipe routing hole (bottom)	See note 1.



	AA	AB
REYQ8 • 10 • 12P	129	32
REYQ8 • 10 • 12P8		
REYQ104 • 16P	131	38
REYQ104 • 168P		