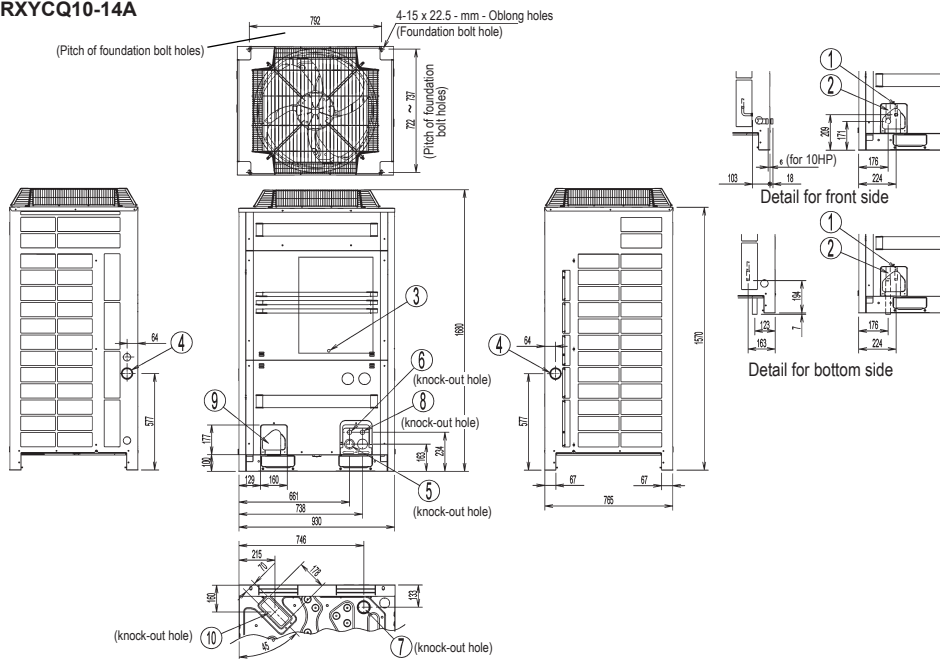


RXYCQ10-14A



No.	Parts name	Remarks
1	Liquid pipe connection port	See note 2
2	Gas pipe connection port	See note 2
3	Grounding terminal	Inside of switch box (M8)
4	Power cord routing hole (side)	ø 62
5	Power cord routing hole (front)	ø 45
6	Power cord routing hole (front)	ø 27
7	Power cord routing hole (bottom)	ø 65.5
8	Wire routing hole (front)	ø 27
9	Pipe routing hole (front)	
10	Pipe routing hole (bottom)	

NOTES

- Detail for front side and detail for bottom side indicate the dimensions after fixing the attached piping.
- Gas pipe:
 ø 19.1 Brazing connection: RXYCQ10
 ø 22.2 Brazing connection: RXYCQ12
 ø 28.6 Brazing connection: RXYCQ14
 Liquid pipe:
 ø 9.5 Brazing connection: RXYCQ10, RXYCQ12
 ø 28.6 Brazing connection: RXYCQ14