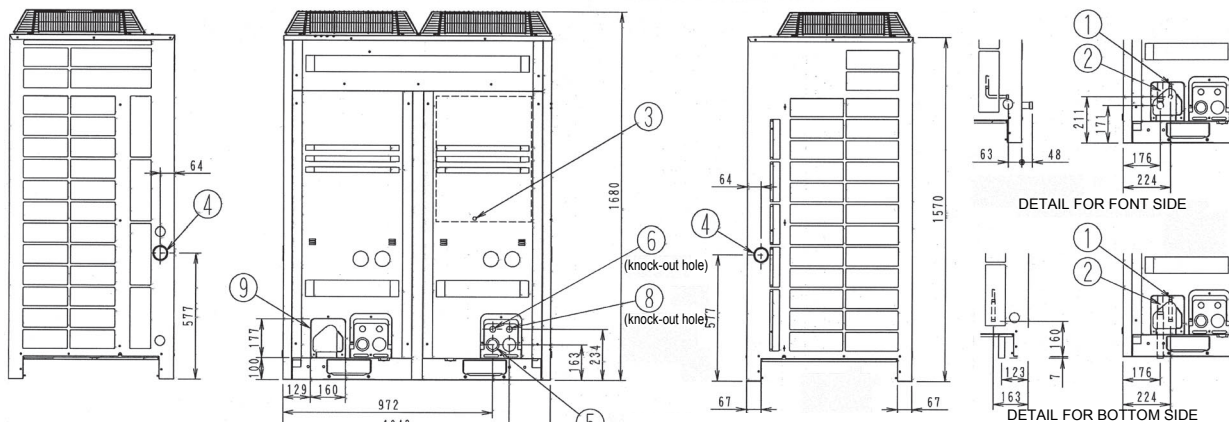


No.	Parts name	Remarks
1	Liquid pipe connection port	See note 2.
2	Gas pipe connection port	See note 2.
3	Grounding terminal	Inside of switch box (M8)
4	Power cord routing hole (side)	Ø62
5	Power cord routing hole (front)	Ø45
6	Power cord routing hole (front)	Ø27
7	Power cord routing hole (bottom)	Ø65,5
8	Wire routing hole (front)	Ø27
9	Pipe routing hole (front)	
10	Pipe routing hole (bottom)	



NOTES

- Detail for front side and detail for bottom side
Indicate the dimensions after fixing the attached piping.
- Gas pipe [Heat pump type]
Ø28.6 Brazing connection ...RXYHQ12P8
Liquid pipe [Heat pump type]
Ø12.7 Brazing connection ...RXYHQ12P8