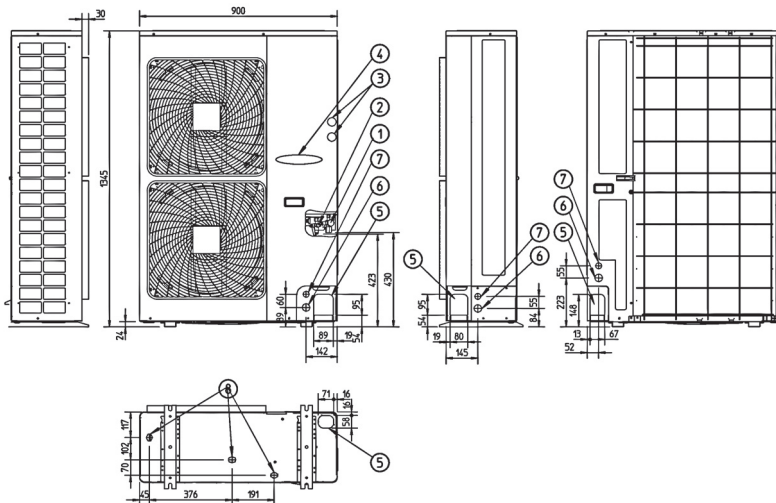
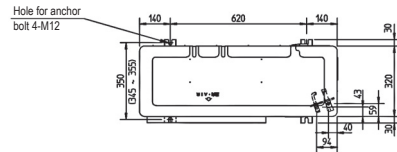


RXYSQ-P8Y1



1	Gas pipe connection A
2	Liquid connection pipe $\varnothing 9.5$ flare
3	Service port (in the unit) (2x)
4	Electronic connection and grounding terminal M5 (in switch box)
5	Refrigerant piping intake
6	Power supply wiring intake (knock hole $\varnothing 34$)
7	Control wiring intake (knock hole $\varnothing 27$)
8	Drain outlet

MODEL	A	
	With RA connection	With VRV correction
RXYSQ4P8Y1	$\varnothing 19.1$ Brazing	$\varnothing 15.9$ Flare
RXYSQ5P8Y1	$\varnothing 19.1$ Brazing	$\varnothing 15.9$ Flare
RXYSQ6P8Y1	$\varnothing 19.1$ Brazing	$\varnothing 19.1$ Brazing