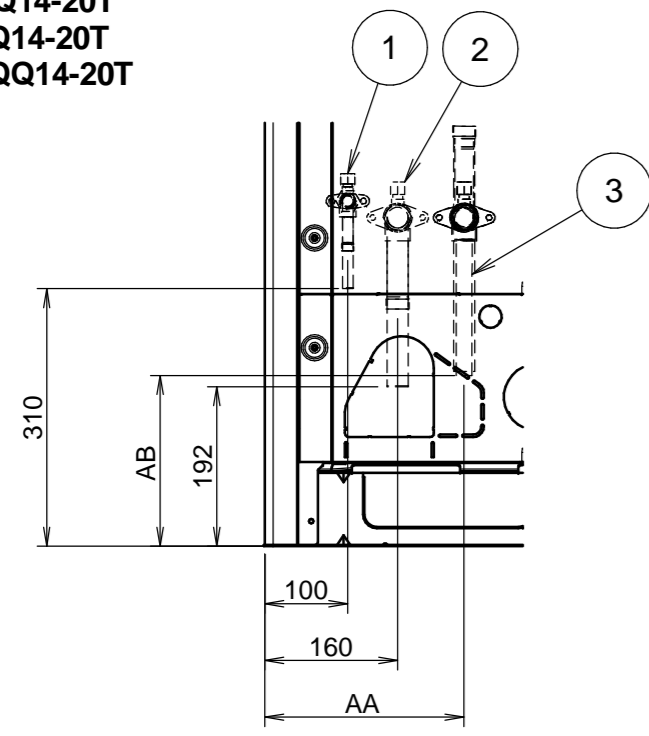
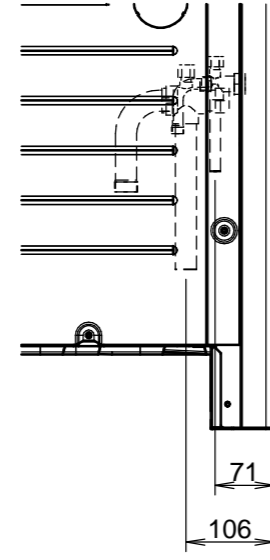


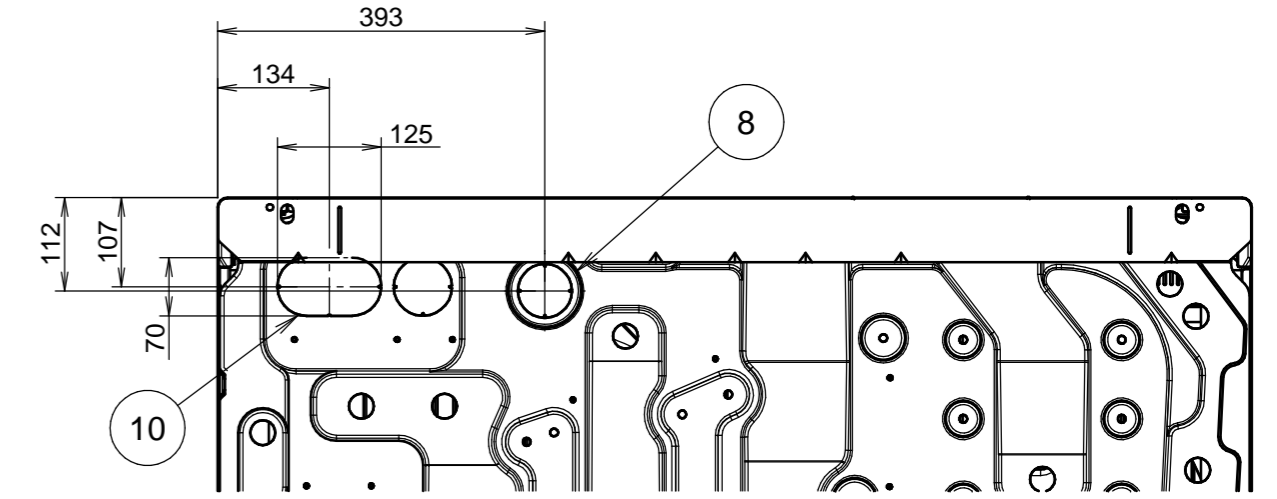
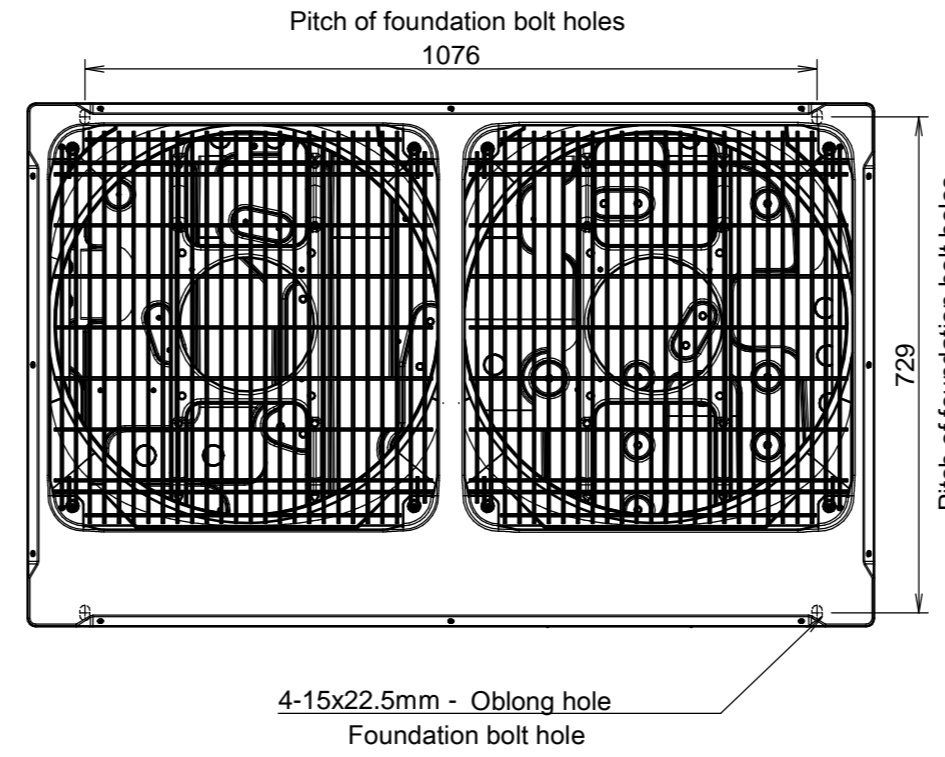
RYYQ14-20T
 RYM14-20T
 RXYQ14-20T
 RXYQQ14-20T



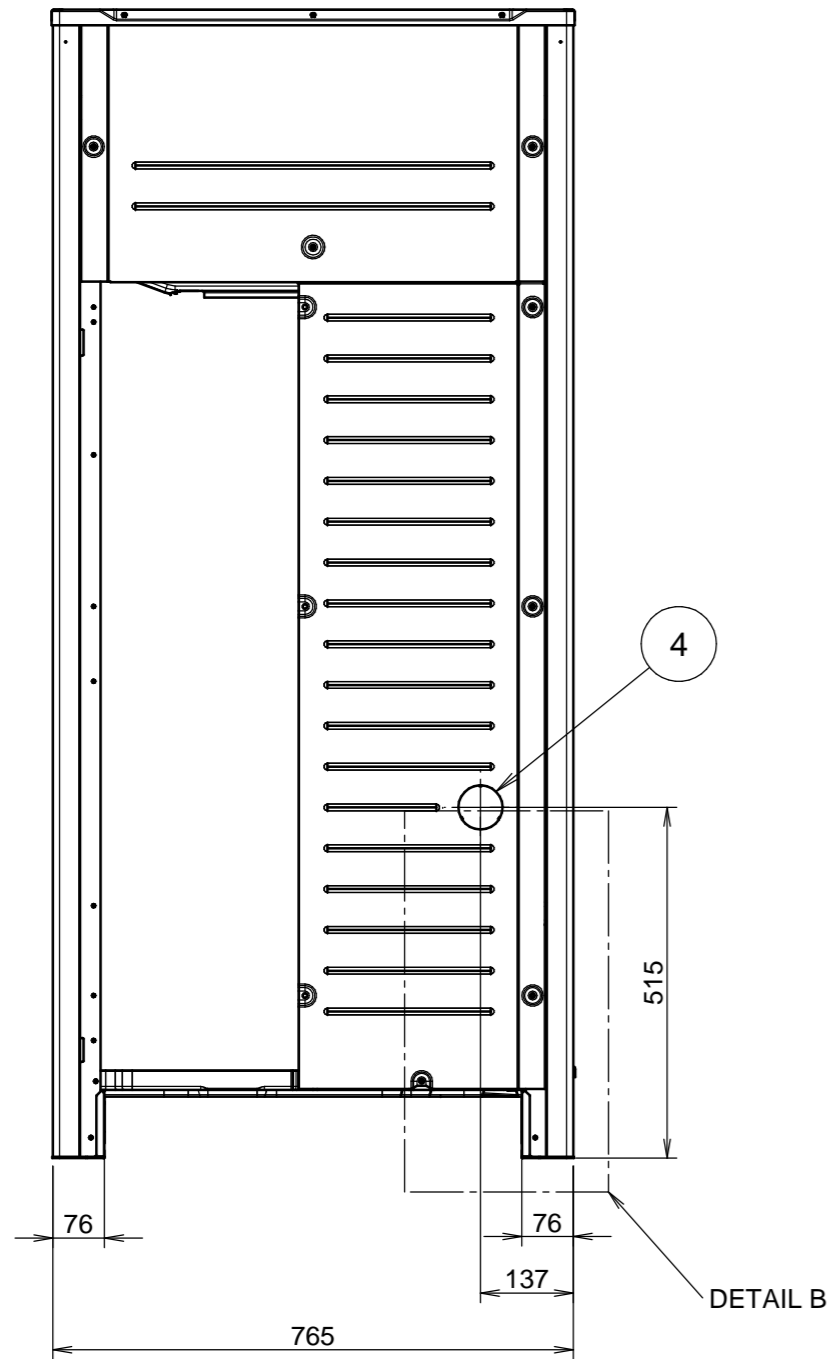
Detail A



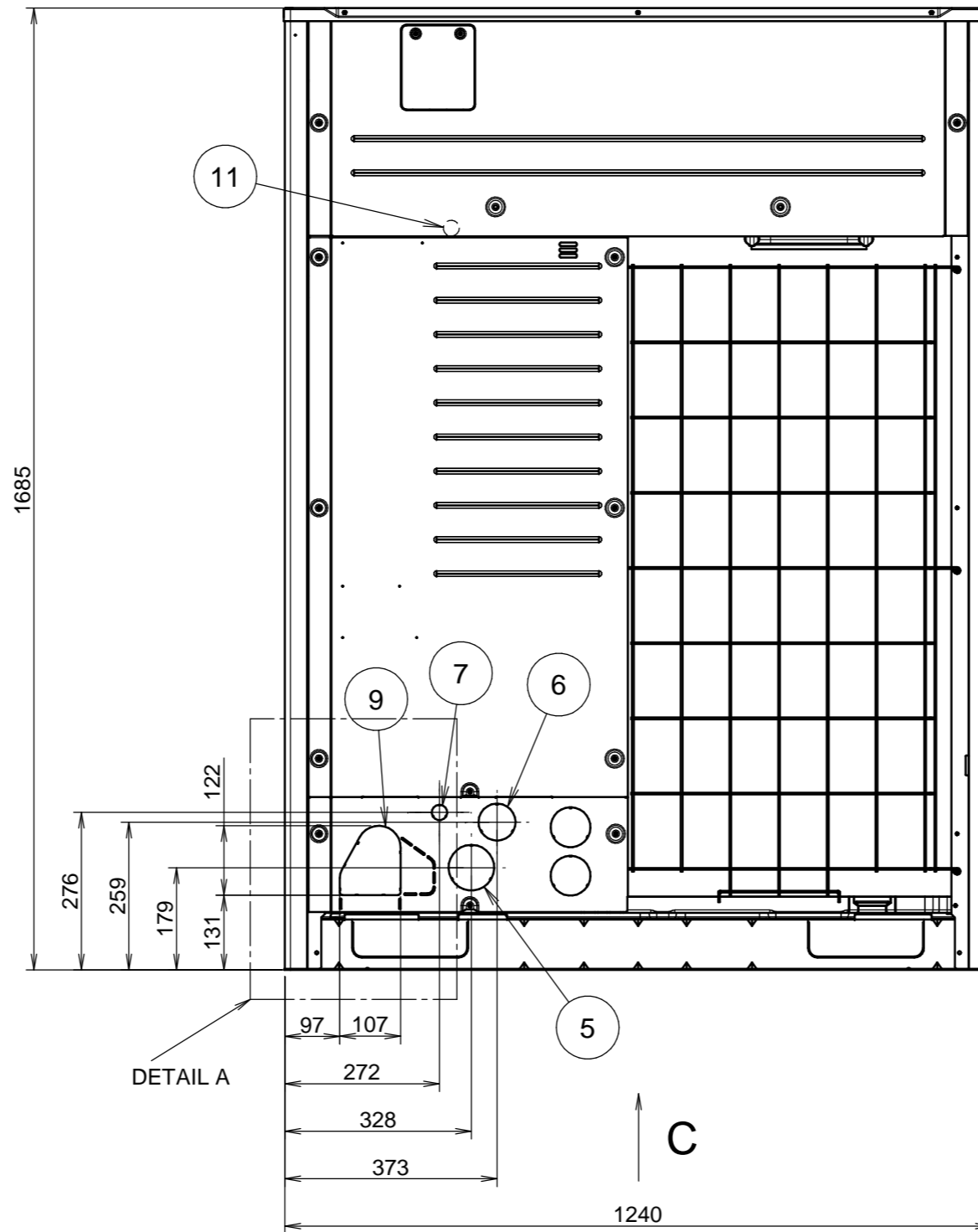
Detail B



View C

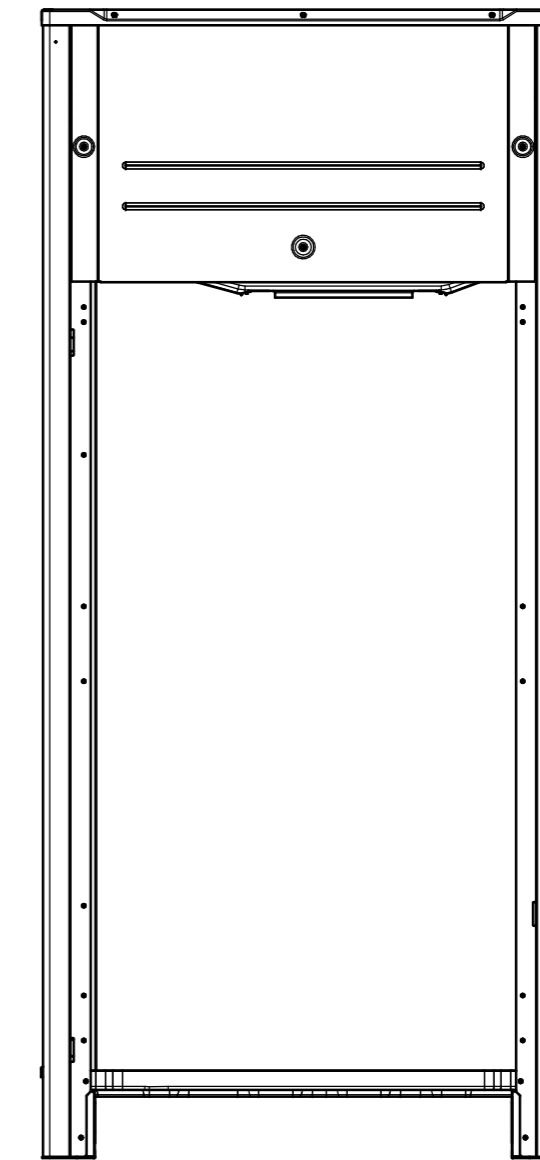


DETAIL B



DETAIL A

C



Model	AA	AB
RYM14-16T, RXYQQ14-16T, REY14-20T	240	205
RYM18-20T, RXYQQ18-20T	240	210

Notes

- Detail A and detail B indicate the dimensions after fixing the attached piping.
- Items 4 - 10: Knockout hole.

- Gas pipe
 REY14-20T : Ø 25.4 brazing connection
 RYY14-20T, RYM14-20T, RXYQ14-20T, RXYQQ14-20T : Ø 28.6 brazing connection

- Liquid pipe
- RYY14-16T, RYM14-16T, RXYQ14-16T, RXYQQ14-16T, REY14-20T : Ø 12.7 brazing connection
 - RYY18-20T, RYM18-20T, RXYQ18-20T, RXYQQ18-20T : Ø 15.9 brazing connection

- Equalising pipe
- RYM14-16T : Ø 22.2 brazing connection
 - RYM18-20T : Ø 28.6 brazing connection

- High pressure/low pressure gas pipe
- REY14-20T : Ø 22.2 brazing connection

11	Grounding terminal	Inside of the switch box (M8)
10	Pipe routing hole (bottom)	
9	Pipe routing hole (front)	
8	Power cord routing hole (bottom)	Ø65
7	Power cord routing hole (front)	Ø27
6	Power cord routing hole (front)	Ø65
5	Power cord routing hole (front)	Ø80
4	Power cord routing hole (side)	Ø65
3	Equalising pipe connection port High pressure/low pressure gas pipe	See note 3.
2	Gas pipe connection port	See note 3.
1	Liquid pipe connection port	See note 3.
No.	Part name	Remark