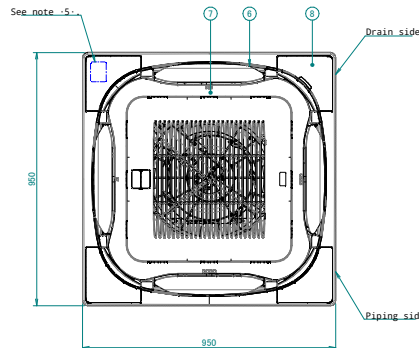
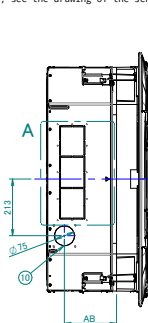
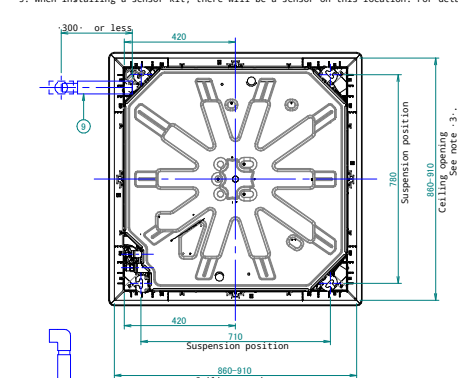


Notes

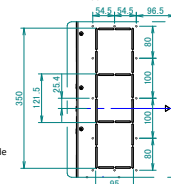
1. Location of nameplate  
The unit nameplate is located on the control box cover.  
The decoration panel nameplate is located on the piping-side panel frame, under the corner cover.
2. When installing optional accessories, refer to their respective documentation.
3. Make sure the distance between the ceiling and the cassette does not exceed 35mm.  
Maximum ceiling opening is 910mm.
4. When the conditions in the ceiling exceed 30°C ambient temperature and 80% relative humidity, or when fresh air is inducted into the ceiling, additional insulation is required (polyethylene foam, thickness 20mm).
5. When installing a sensor kit, there will be a sensor on this location. For details, see the drawing of the sensor kit.

AA	AB	Model
204	140	FCAG35/50/60/71BVEB
246	180	FCAG100/125/140BVEB
288	180	FCAG71/100/125/140HVEB
204	140	FXFQ20/25/32/40/50/63BVEB
246	180	FXFQ80/100BVEB
288	180	FXFQ80/125BVEB
204	140	FXFA20/25/32/40/50/63A2VEB
246	180	FXFA80/100A2VEB
288	180	FXFA125A2VEB



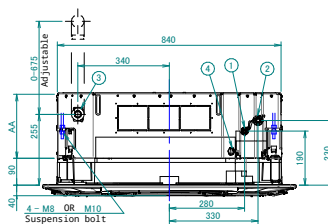
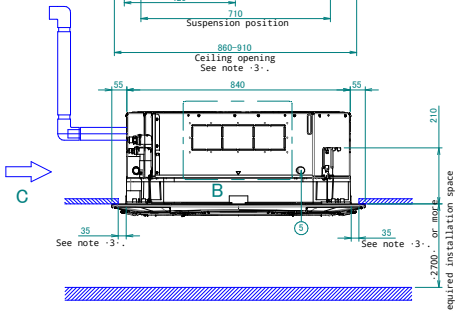
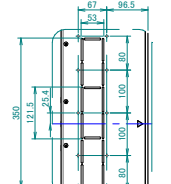
DETAIL A

-2- places  
Opposite side



DETAIL A

-2- places  
Opposite side

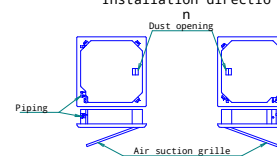


ARROW VIEW C

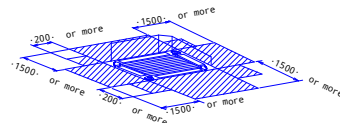
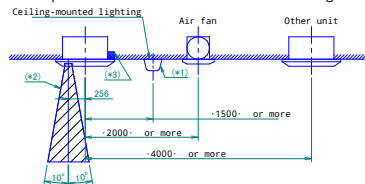
Item Name

- 1 Liquid pipe connection port
- 2 Gas pipe connection port
- 3 Drain pipe connection
- 4 Power supply wiring intake
- 5 Transmission wiring intake hole
- 6 Air discharge outlet
- 7 Air suction grille
- 8 Corner decoration cover
- 9 Drain hose
- 10 Knockout hole.

Installation direction



Respect the distances shown on the figure.



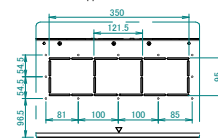
Required installation space

If a discharge outlet is closed up with the "sealing member" option kit, then the required installation space on that (closed up) side is 450-mm instead of 1500-mm.

- (\*)Not applicable to recessed lighting.  
 (\*\*)Required space for entering with vacuum cleaner tube.  
 (\*\*\*)Make sure the decoration panel discharge outlet is not blocked.

DETAIL B

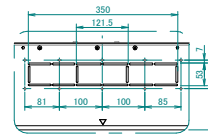
-2- places  
Opposite side



FCAG100/125/140BVEB  
 FCAG71/100/125/140HVEB  
 FXFQ80/100/125BVEB  
 FXFA80/100/125A2VEB

DETAIL B

-2- places  
Opposite side



FCAG35/50/60/71BVEB  
 FXFQ20/25/32/40/50/63BVEB  
 FXFA20/25/32/40/50/63A2VEB