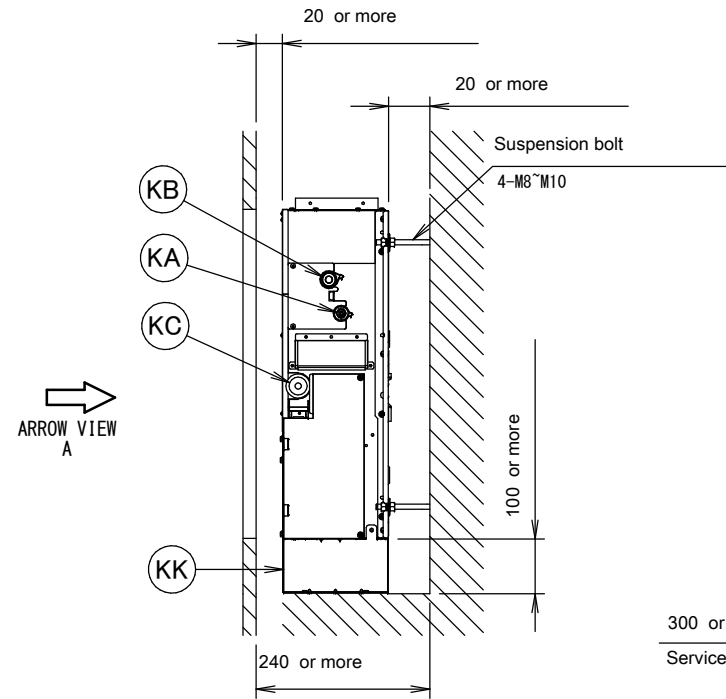
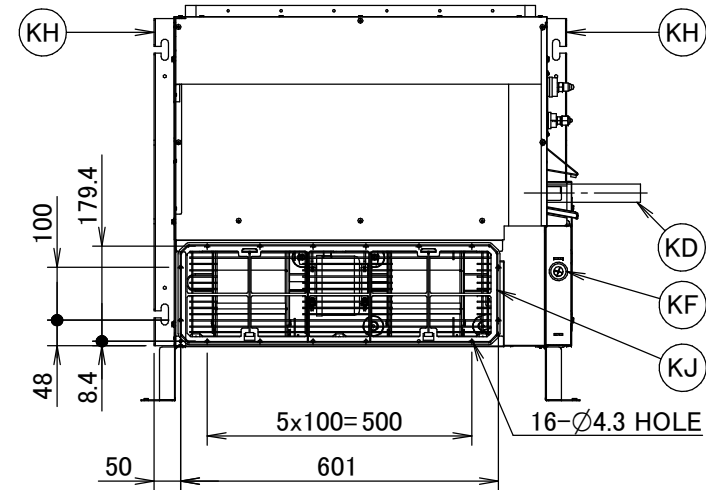
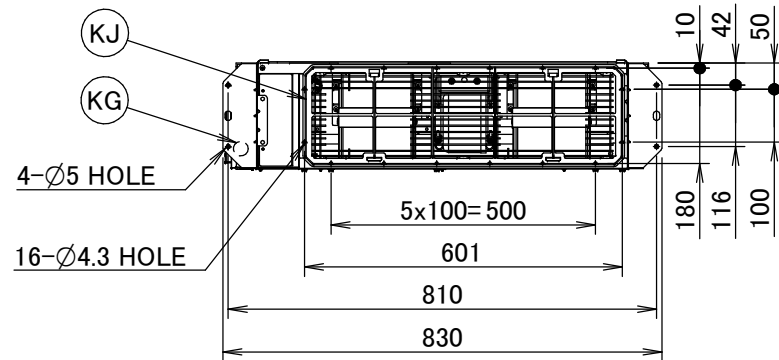
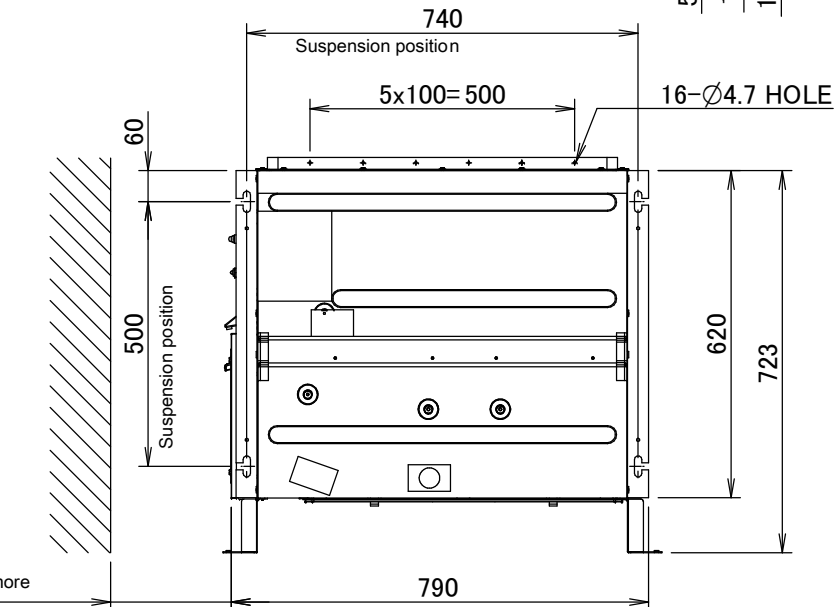
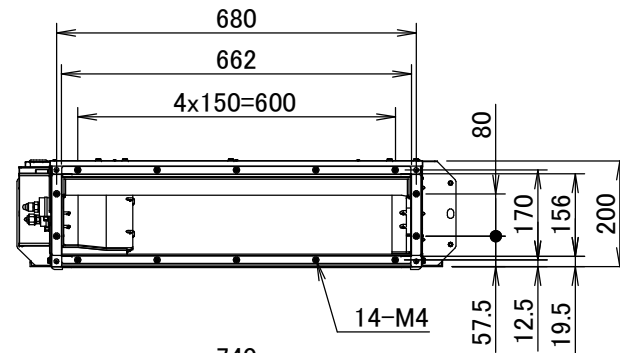


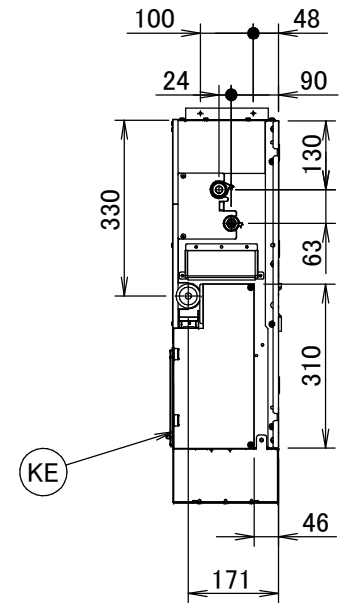
ARROW VIEW A
Inspection door



ARROW VIEW B



ARROW VIEW B
Front suction



Bottom suction

Item	Name	Description
KA	Liquid pipe connection port	Ø6.40 flared connection
KB	Gas pipe connection port	Ø12.7 flared connection
KC	Drain pipe connection	VP20 (OD Ø26, ID Ø20)
KD	Drain hose	ID Ø25
KE	Control box	/
KF	Transmission line	/
KG	Power supply connection	/
KH	Suspension bracket	/
KJ	Air filter	/
KK	Mounting foot	/

Notes

1. When installing optional accessories, refer to their respective documentation.
2. The ceiling depth varies according to the documentation of the specific system.