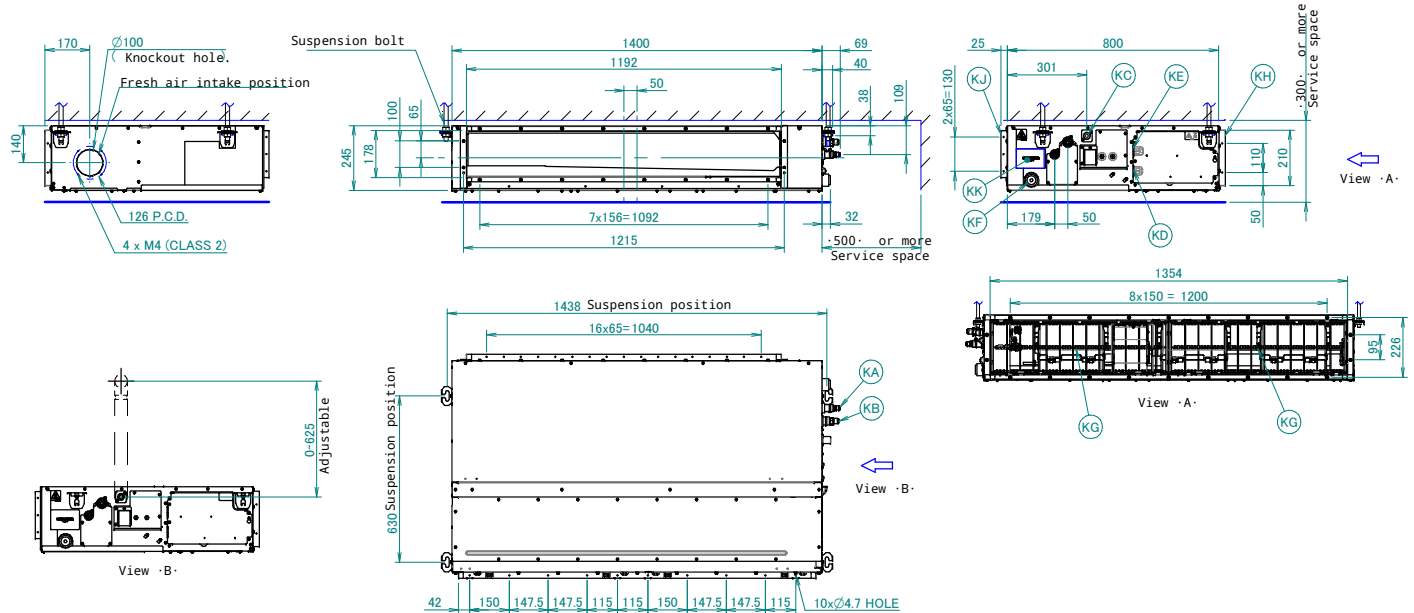


FXSA100A FXSA125A



Item	Name	Description
KA	Liquid pipe connection port	·Ø9.52· flared connection
KB	Gas pipe connection port	·Ø15.90· flared connection
KC	Drain pipe connection	VP20 (OD Ø26, ID Ø20)
KD	Wiring connection	/
KE	Power supply connection	/
KF	Drain outlet	VP20 (OD Ø26, ID Ø20)
KG	Air filter	/
KH	Air suction side	/
KJ	Air discharge side	/
KK	Nameplate	/

Notes

1. When installing optional accessories, refer to their respective documentation.
2. The ceiling depth varies according to the documentation of the specific system.
3. In case of bottom suction, mount the chamber cover to the backside of the unit. For more information, refer to the installation manual.
4. In case of rear suction, mount the chamber cover to the bottom side of the unit. For more information, refer to the installation manual.