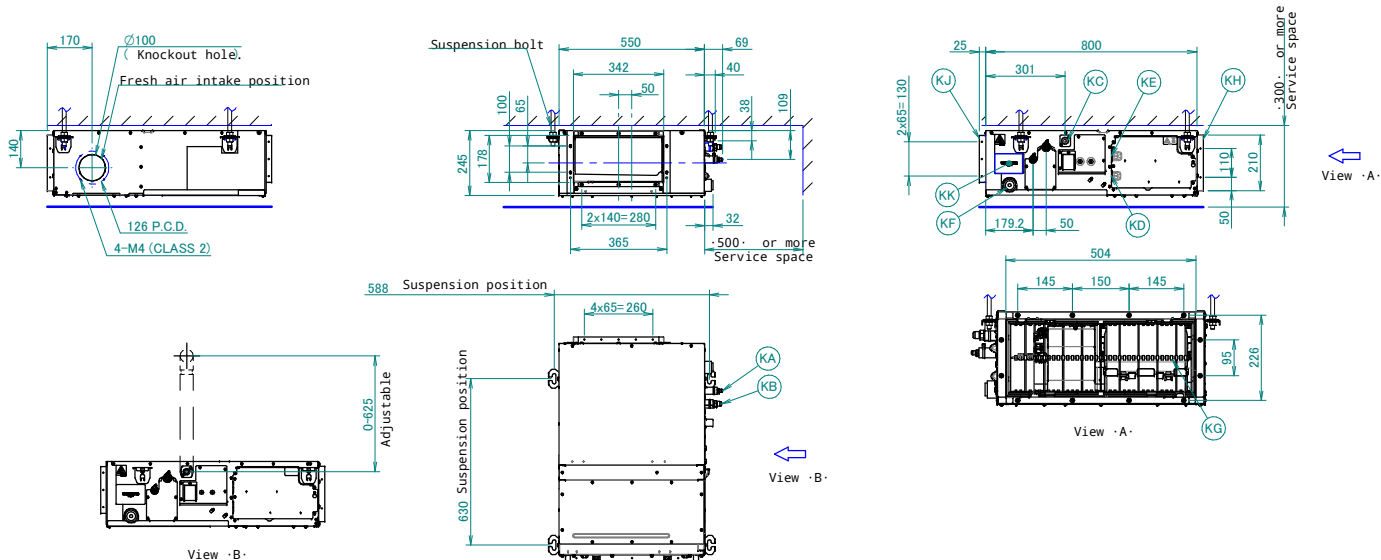


FXSA15A
 FXSA20A
 FXSA25A
 FXSA32A



Item	Name	Description
KA	Liquid pipe connection port	· $\varnothing 6.35$ · flared connection
KB	Gas pipe connection port	· $\varnothing 9.52$ · flared connection
KC	Drain pipe connection	VP20 (OD $\varnothing 26$, ID $\varnothing 20$)
KD	Wiring connection	/
KE	Power supply connection	/
KF	Drain outlet	VP20 (OD $\varnothing 26$, ID $\varnothing 20$)
KG	Air filter	/
KH	Air suction side	/
KJ	Air discharge side	/
KK	Nameplate	/

Notes

- When installing optional accessories, refer to their respective documentation.
- The ceiling depth varies according to the documentation of the specific system.
- In case of bottom suction, mount the chamber cover to the backside of the unit. For more information, refer to the installation manual.
- In case of rear suction, mount the chamber cover to the bottom side of the unit. For more information, refer to the installation manual.