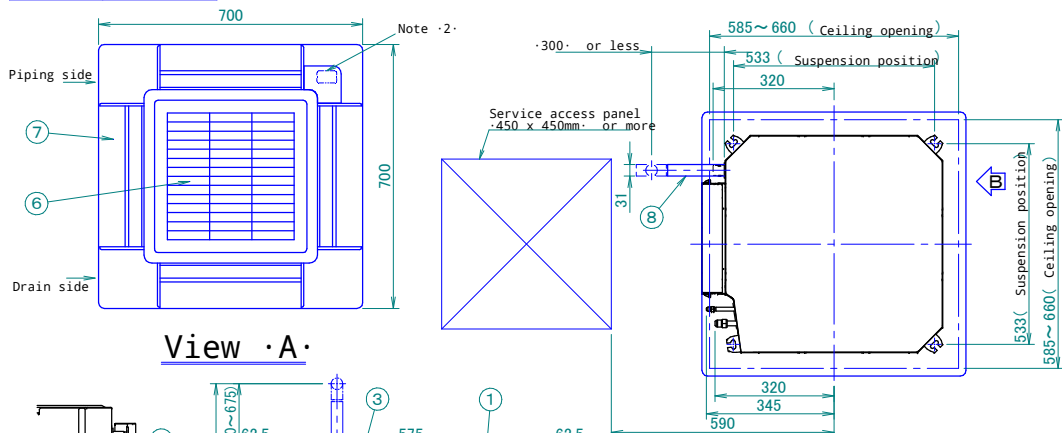


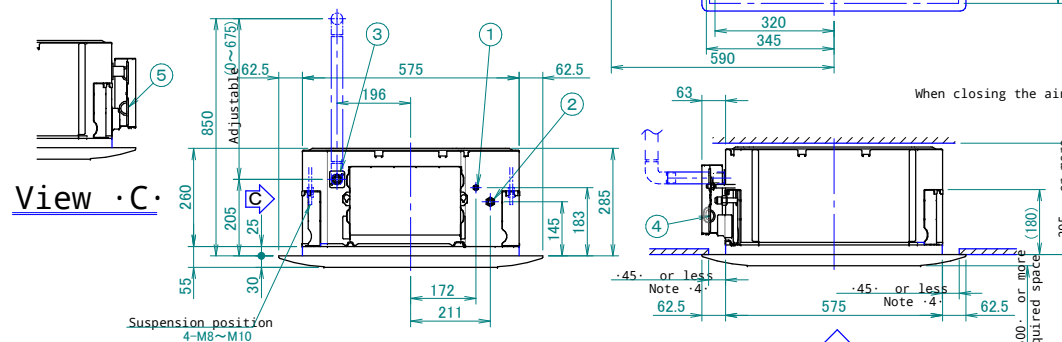
Decoration panel

BYFQ60B2W WhiteRal 9010

BYFQ60B3W WhiteRal 9010



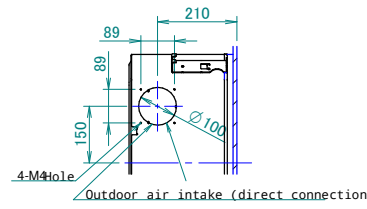
View ·A·



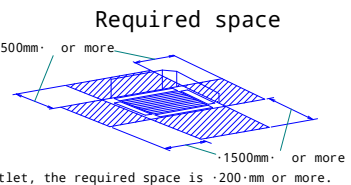
View ·C·

Notes

1. Location of nameplate
The indoor unit nameplate is located on the bell mouth inside the suction grille.
The decoration panel nameplate is located on the inner frame inside the suction grille.
2. When installing a wireless controller, there will be a receiver on this location.
3. For details, see the drawing of the wireless controller.
If any of the following conditions are met, additional insulation (glass wool or polyethylene foam, thickness ≥10 mm) is required:
Ambient conditions in the ceiling ≥ 30 °C and ≥ 80 % relative humidity.
Fresh air is inducted into the ceiling.
The unit operates continuously
4. Though the installation is acceptable up to maximum ·660·mm square ceiling opening, keep the clearance of ·45·mm or less between the indoor unit and the ceiling opening, so that the panel overlap allowance can be ensured.



View ·B·



Required space

Item	Part name	Item	Part name
①	Liquid pipe connection ·Ø 6.4·	⑤	Remote control wiring intake
②	Gas pipe connection ·15-32 ø9.5·	⑥	Air discharge grille
	Gas pipe connection ·40-50 ø12·	⑦	Air suction grille
③	Drain outlet ·VP20· Outer: ·Ø26·	⑧	Drain hose Inner: ·Ø25·
④	Power supply		