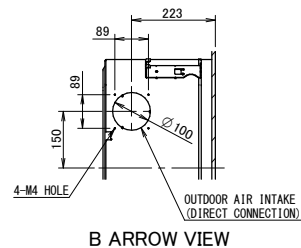
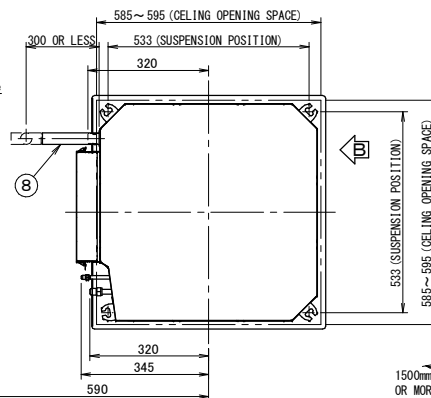
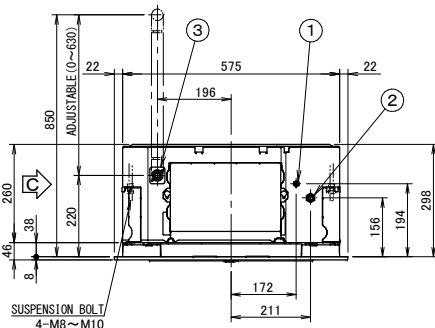
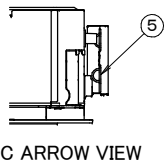
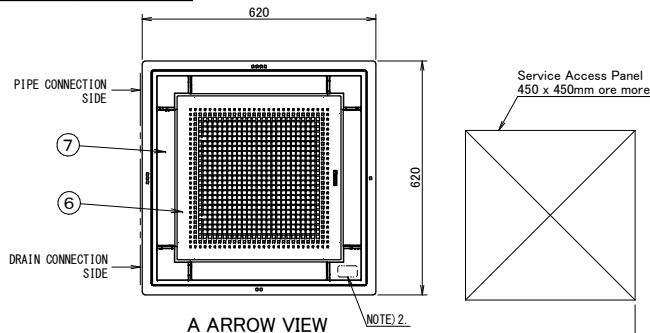
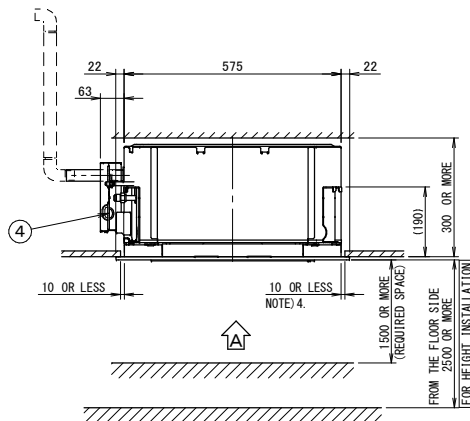
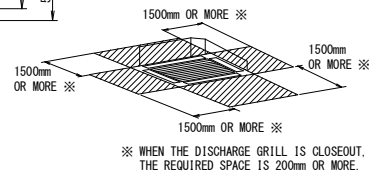


## · DECORATION PANEL

BYF060C2W1W	FRESH WHITE N9.5
BYF060C2W1S	DAIKIN SILVER



## · REQUIRED SPACE



- NOTE) 1. STICKING LOCATION FOR MANUFACTURE'S LABEL  
MANUFACTURE'S LABEL FOR INDOOR UNIT: ON THE BELL MOUTH INSIDE SUCTION GRILLE  
MANUFACTURE'S LABEL FOR DECORATION PANEL: ON THE INNER FRAME INSIDE SUCTION GRILLE
2. IN CASE OF USING WIRELESS REMOTE CONTROLLER, THIS POSITION WILL BE A SIGNAL RECEIVER. REFER TO THE DRAWING OF WIRELESS REMOTE CONTROLLER IN DETAIL.
3. WHEN THE TEMPERATURE AND HUMIDITY IN THE CEILING EXCEED 30°C AND RH 80% OR THE FRESH AIR IS INDUCTED INTO THE CEILING OR THE UNIT CONTINUES 24 HOUR OPERATION, AN ADDITIONAL INSULATION (THICKNESS 10mm OR MORE OF GLASSWOOL OR POLYETHYLENE FOM) IS REQUIRED.
4. THOUGH THE INSTALLATION IS ACCEPTABLE UP TO MAXIMUM OF 595mm SQUARE CEILING OPENING, KEEP THE CLEARANCE OF 10mm OR LESS BETWEEN THE MAIN UNIT AND THE CEILING OPENING SO THAT THE PANEL OVERLAP ALLOWANCE CAN BE ENSURED.

ITEM	PART NAME	REMARK	ITEM	PART NAME	REMARK
1	LIQUID PIPE CONNECTION	φ6.4 (FRARE CONNECTION)	5	REMOTE CONTROL CODE AND CONTROL WIRING CONNECTION	
2	GAS PIPE CONNECTION	φ12.7 (FRARE CONNECTION)	6	AIR DISCHARGE GRILL	
3	DRAIN PIPE CONNECTION	VP20 (O. D. φ26)	7	SUCTION GRILL	
4	POWER SUPPLY CONNECTION		8	DRAIN HOSE (ACCESSORY) I. D. φ 25 (OUTLET)	