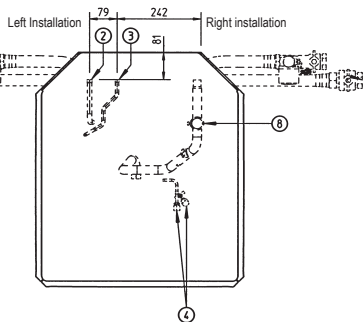
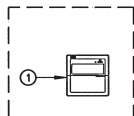
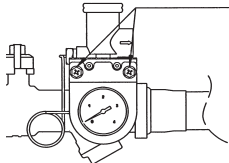


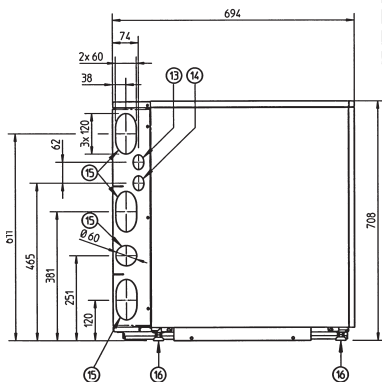
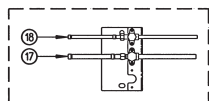
HXHD-A8

Detail A Scale 1/3

If required (e.g. Wall fixation)
Pressure gauge can be removed from waterfilter, maximum distance
between waterfilter and pressure gauge ± 600 mm



1	Remote control (delivered as accessory) Installation location is outside the unit
2	Discharge pipe connection $\varnothing 12.7$ solder (R410a)
3	Liquid pipe connection $\varnothing 9.5$ solder (R410a)
4	R134a Service ports 5/16" flare (2x)
5	Pressure gauge
6	Blow off valve
7	Drain valve water circuit
8	Air purge
9	Shut-off valves (2x)
10	Water filter
11	Water in connection G 1° (female)
12	Water out connection G 1° (female)
13	Control wiring intake (knock-out hole $\varnothing 37$)
14	Power supply wiring intake (knock-out hole $\varnothing 37$)
15	Knock-out holes for refrigerant piping and water piping
16	Levelling feet
17	Discharge stop valve $\varnothing 12.7$ solder (R410a)
18	Liquid stop valve $\varnothing 9.5$ solder (R410a)



Detail A

