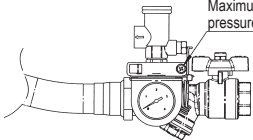


HXHD200A8

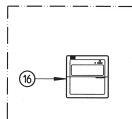
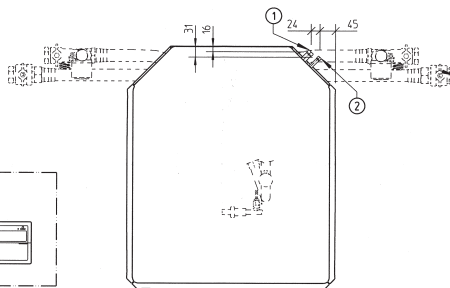
Detail A
Scale 1/3

If required (e.g. wall fixation)
Pressure gauge can be removed from waterfilter.
Maximum distance between waterfilter and
pressure gauge: +/- 600mm.

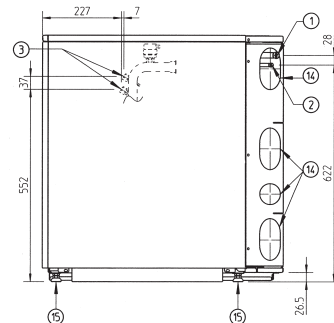
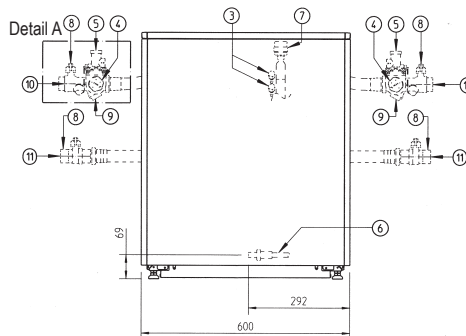
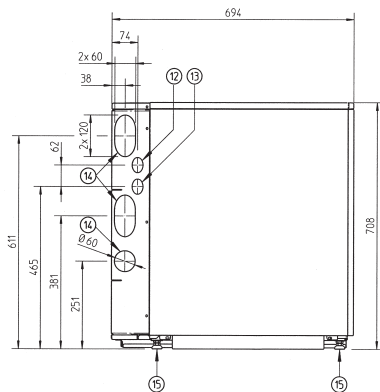


Left installation

Right installation



1	Gas pipe connection $\phi 15.9$ solder (R410A)
2	Liquid pipe connection $\phi 9.5$ solder (R410A)
3	R134a service ports $\phi 12.7$ flare
4	Pressure gauge
5	Blow off valve
6	Drain valve water circuit
7	Air purge
8	Shut-off valves
9	Water filter
10	Water in connecting G 1" (female)
11	Water out connecting G 1" (female)
12	Control wiring intake (knock-out hole $\phi 37$)
13	Power supply wiring intake (knock-out hole $\phi 37$)
14	Knock-out holes for refrigerant piping and water piping
15	Levelling feet
16	Remote controller (delivered as accessory) installation location is outside the unit



3TW59854-1