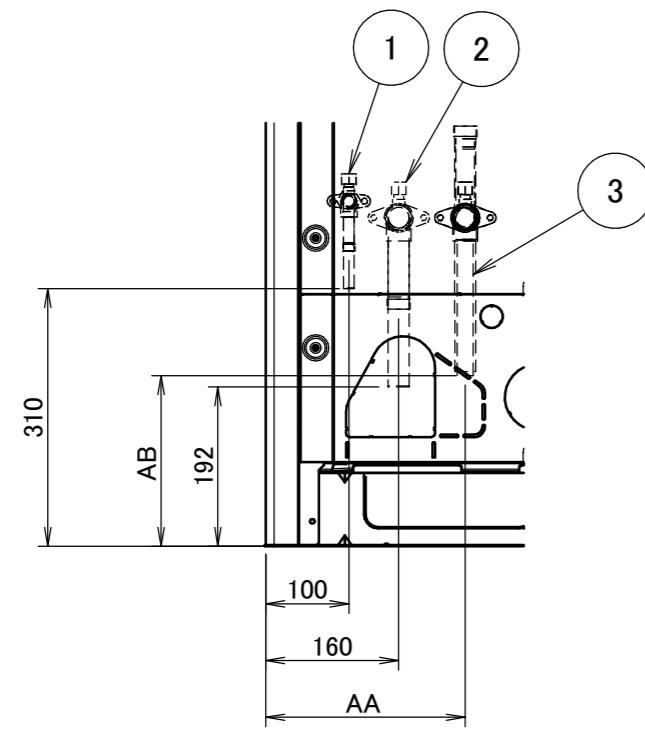
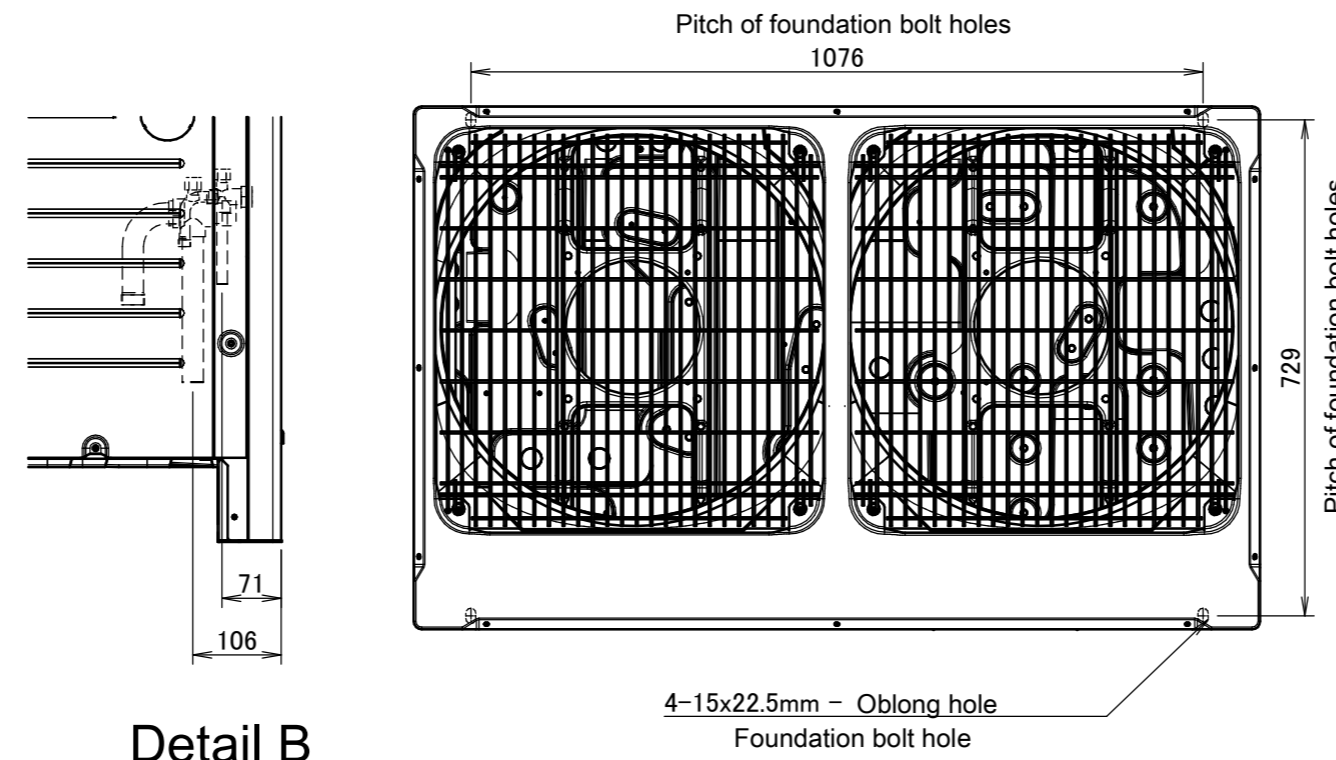


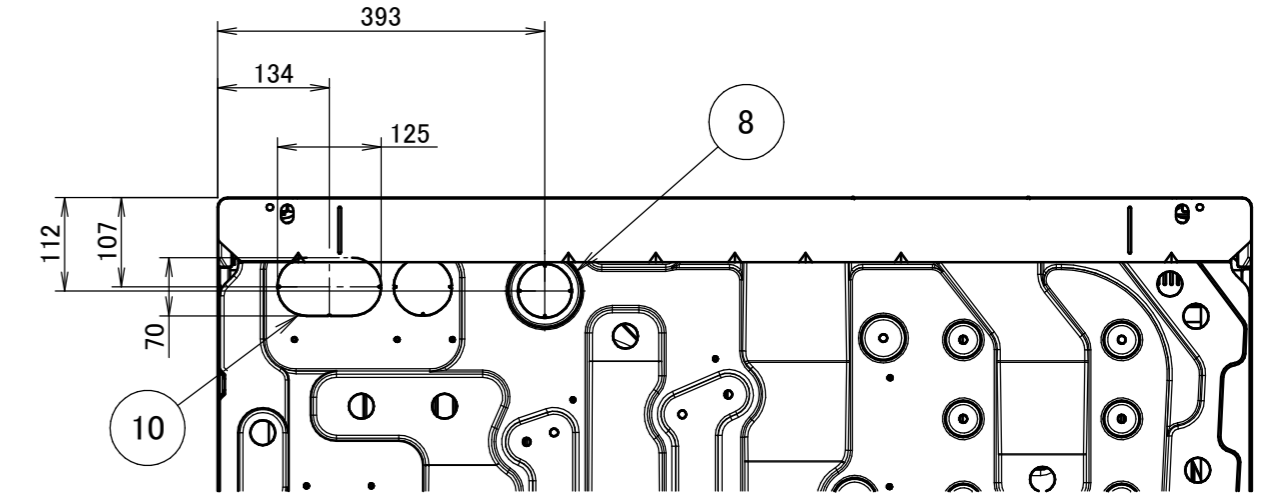
RXYQ14-20T
 RYYQ14-20T
 RYMQ14-20T
 RXYQQ14-20T



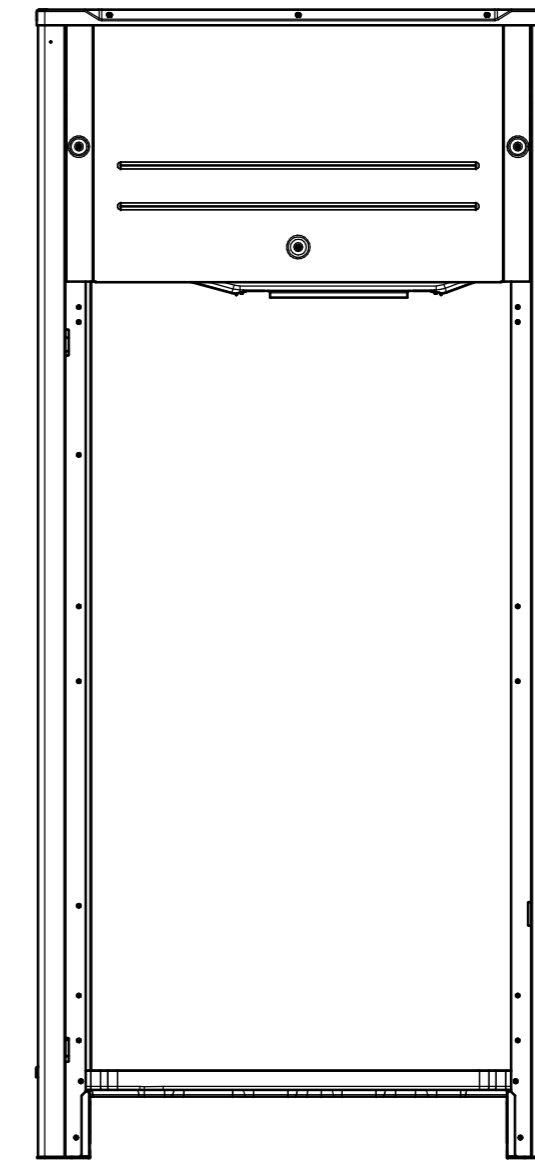
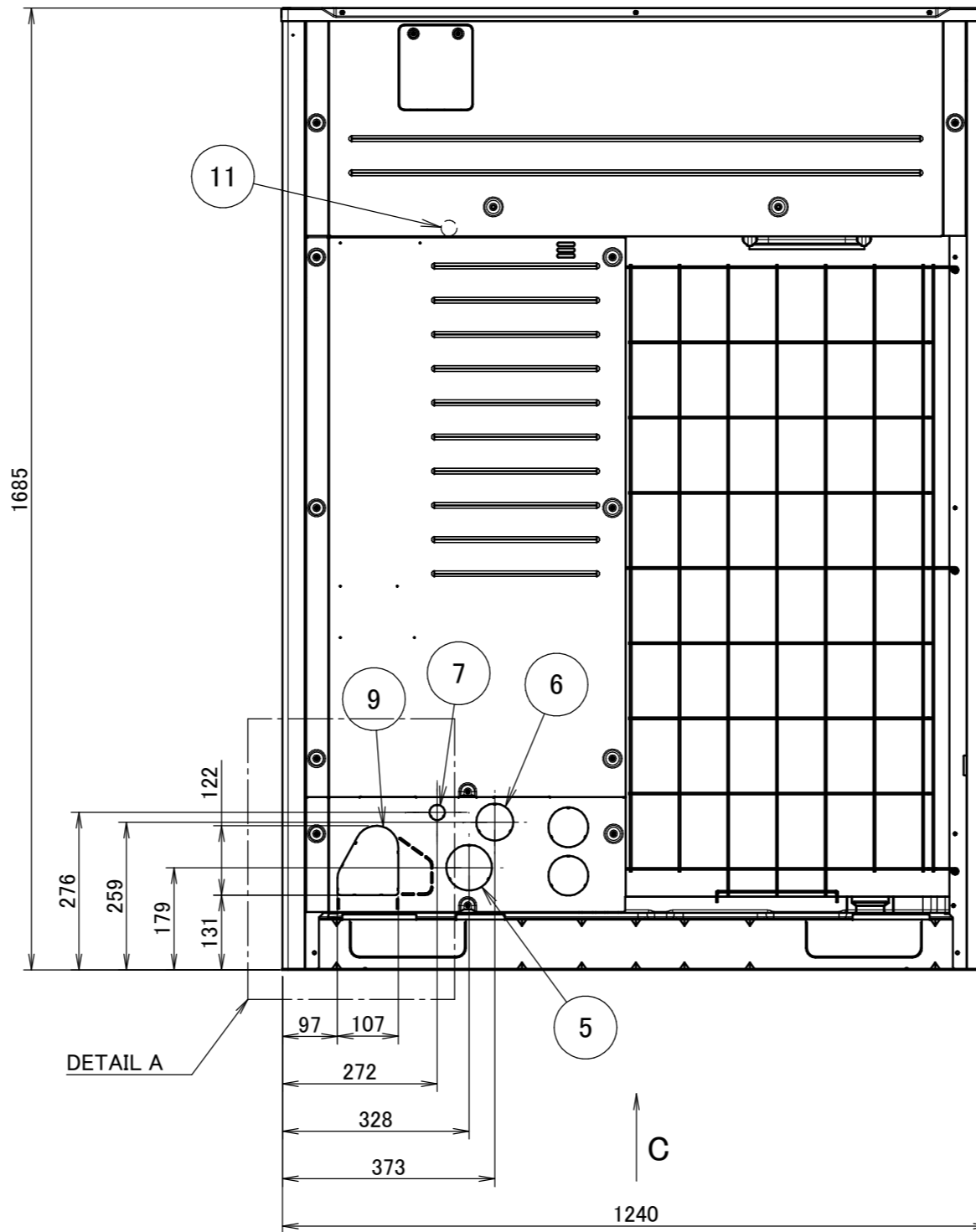
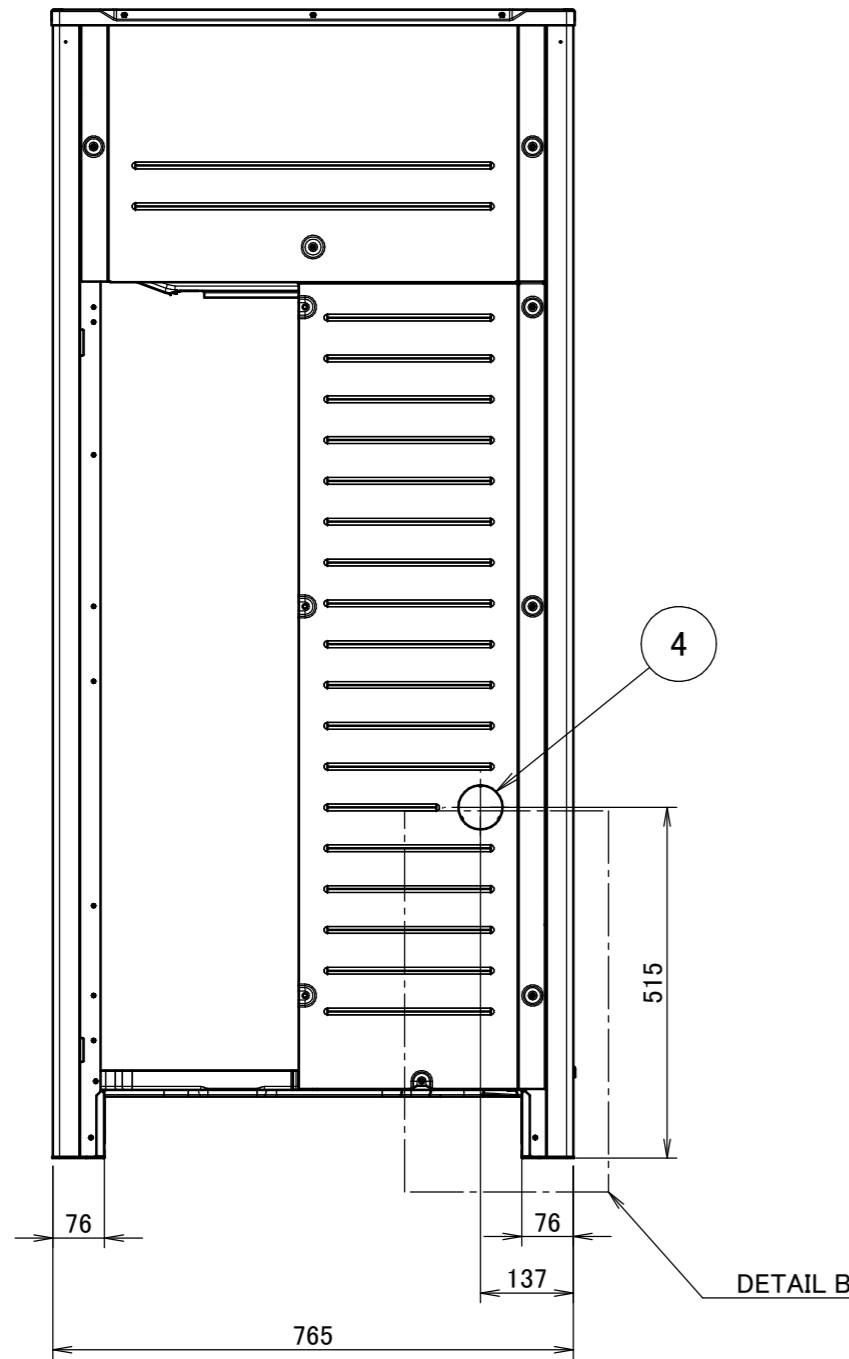
Detail A



Detail B



View C



Model	AA	AB
RYMQ14-16T, RXYQQ14-16T, REYQ14-20T	240	205
RYMQ18-20T, RXYQQ18-20T	240	210

Notes

- Detail A and detail B indicate the dimensions after fixing the attached piping.
- Items 4 - 10: Knockout hole.
- Gas pipe
 RXYTQ10T
 REYQ14-20T
 RYYQ14-20T, RYMQ14-20T, RXYQ14-20T, RXYQQ14-20T, RXYTQ12-16T
 Liquid pipe
 RXYTQ10T
 RYYQ14-16T, RYMQ14-16T, RXYQ14-16T, RXYQQ14-16T, REYQ14-20T, RXYTQ12-16T
 RYYQ18-20T, RYMQ18-20T, RXYQ18-20T, RXYQQ18-20T
 Equalising pipe
 RYMQ14-16T
 RYMQ18-20T
 High pressure/low pressure gas pipe
 REYQ14-20T

- Ø 22.2 brazing connection
- Ø 25.4 brazing connection
- Ø 28.6 brazing connection
- Ø 9.5 brazing connection
- Ø 12.7 brazing connection
- Ø 15.9 brazing connection
- Ø 22.2 brazing connection
- Ø 28.6 brazing connection
- Ø 22.2 brazing connection

11	Grounding terminal	Inside of the switch box (M8)
10	Pipe routing hole (bottom)	
9	Pipe routing hole (front)	
8	Power cord routing hole (bottom)	Ø65
7	Power cord routing hole (front)	Ø27
6	Power cord routing hole (front)	Ø65
5	Power cord routing hole (front)	Ø80
4	Power cord routing hole (side)	Ø65
3	Equalising pipe connection port High pressure/low pressure gas pipe	See note 3.
2	Gas pipe connection port	See note 3.
1	Liquid pipe connection port	See note 3.
No.	Part name	Remark