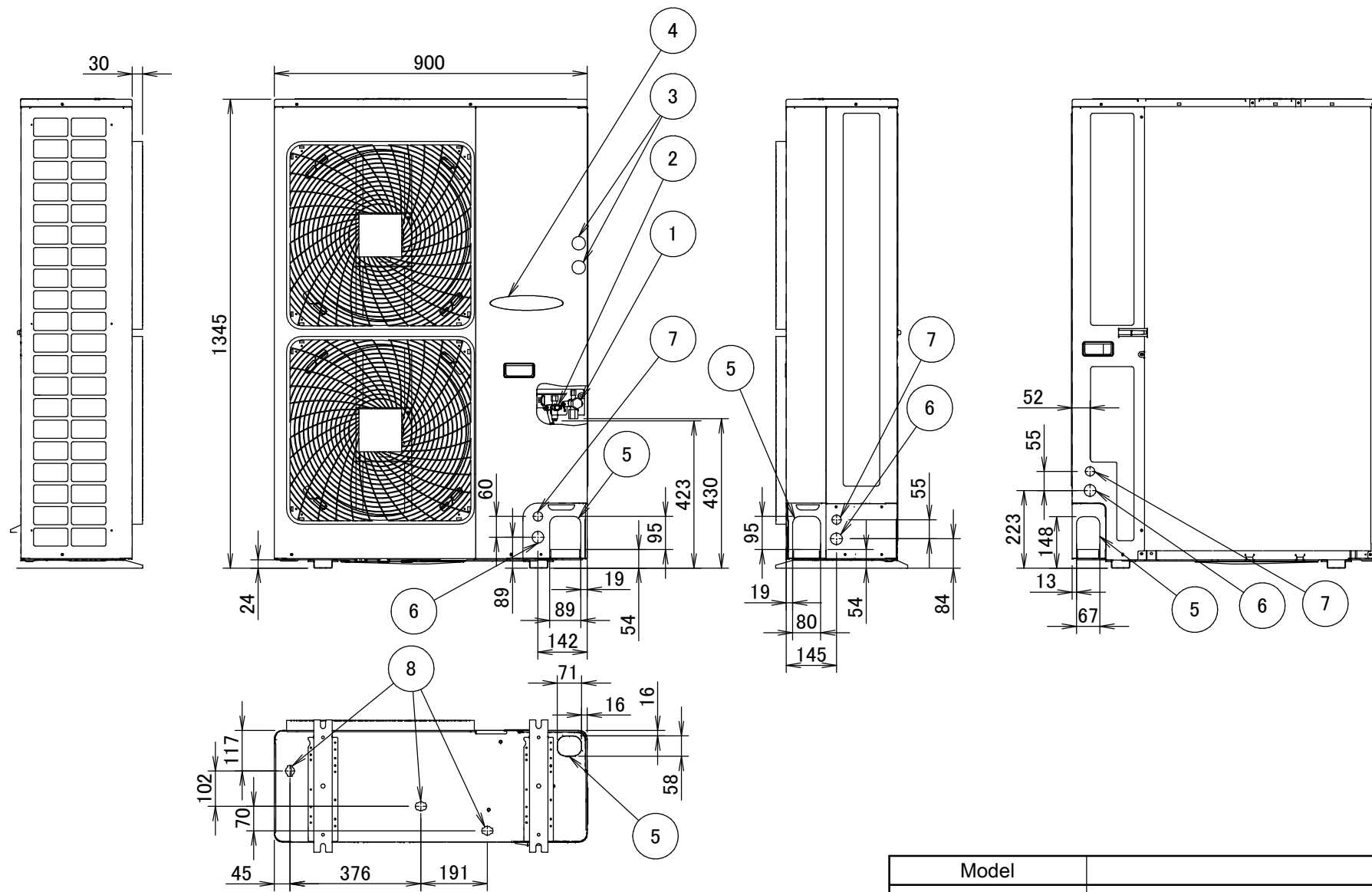
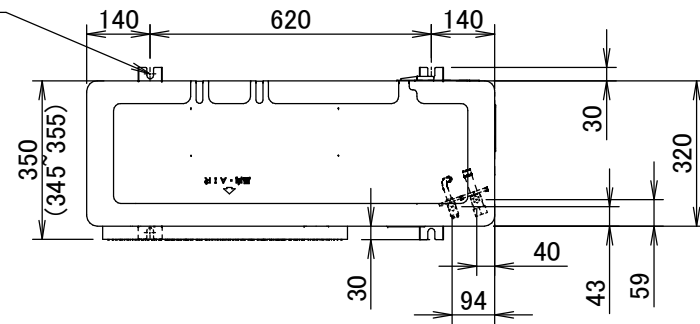


# RXYSQ4-6TV1 RXYSQ4-6TY1

4 holes for anchor bolts  
M12



|   |   |
|---|---|
| 1 | Gas pipe connection A   |
| 2 | Liquid pipe connection Ø9.5 flare                                   |
| 3 | (2X) Service port (in the unit)                                     |
| 4 | Electronic connection and grounding terminal M5 (in the switch box) |
| 5 | Refrigerant piping intake   |
| 6 | Power supply wiring intake (knockout hole Ø34)                      |
| 7 | Control wiring intake (knockout hole Ø27)                           |
| 8 | Drain outlet  |

| Model        | A                       |
|--------------|-------------------------|
| RMXS112E8V1B | Ø19.1 brazed connection |
| RMXS140E8V1B | Ø19.1 brazed connection |
| RMXS160E8V1B | Ø19.1 brazed connection |
| RXYSQ4PA7V1B | Ø15.9 flared connection |
| RXYSQ5PA7V1B | Ø15.9 flared connection |
| RXYSQ6PA7V1B | Ø19.1 brazed connection |
| ERX100A9V1B  | Ø15.9 flared connection |
| ERX125A9V1B  | Ø15.9 flared connection |
| ERX140A9V1B  | Ø19.1 brazed connection |
| GCA100BD4    | Ø15.9 flared connection |
| GCA125BD4    | Ø15.9 flared connection |
| GCA140BD4    | Ø19.1 brazed connection |
| RXYSQ4PA7Y1B | Ø15.9 flared connection |
| RXYSQ5PA7Y1B | Ø15.9 flared connection |
| RXYSQ6PA7Y1B | Ø19.1 brazed connection |

| Model            | A                       |                         |
|------------------|-------------------------|-------------------------|
|                  | RA indoor unit          | VRV indoor unit         |
| RXYSQ4(P8/T7)V1B | Ø19.1 brazed connection | Ø15.9 flared connection |
| RXYSQ5(P8/T7)V1B | Ø19.1 brazed connection | Ø15.9 flared connection |
| RXYSQ6(P8/T7)V1B | Ø19.1 brazed connection |                         |
| RXYSQ4(P8/T7)Y1B | Ø19.1 brazed connection | Ø15.9 flared connection |
| RXYSQ5(P8/T7)Y1B | Ø19.1 brazed connection | Ø15.9 flared connection |
| RXYSQ6(P8/T7)Y1B | Ø19.1 brazed connection |                         |