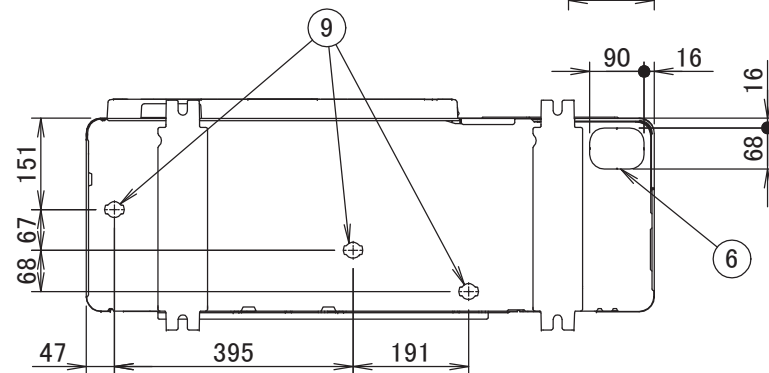
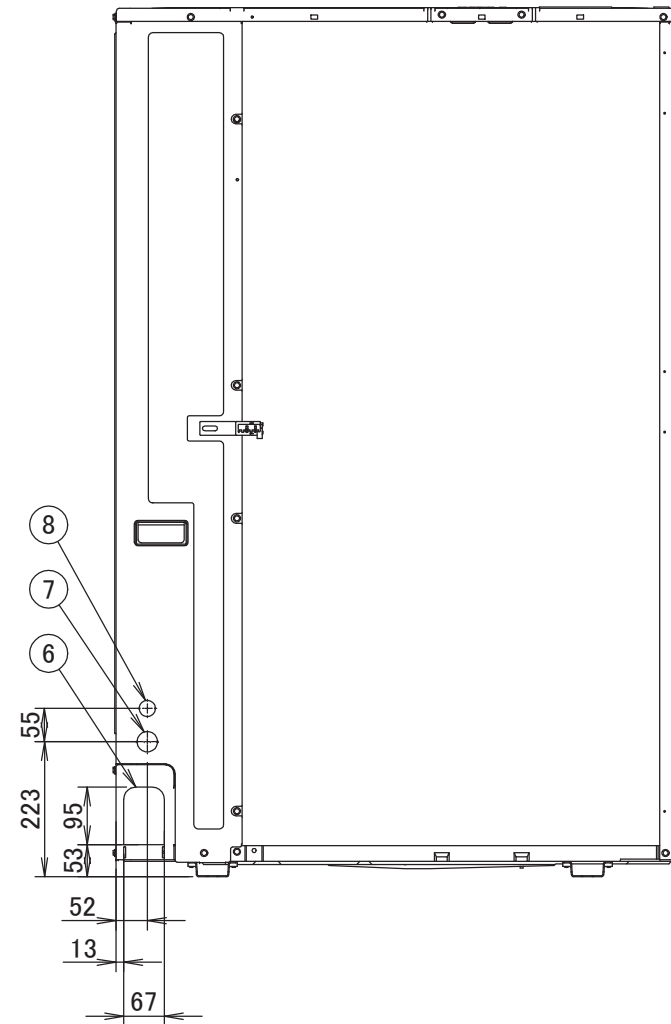
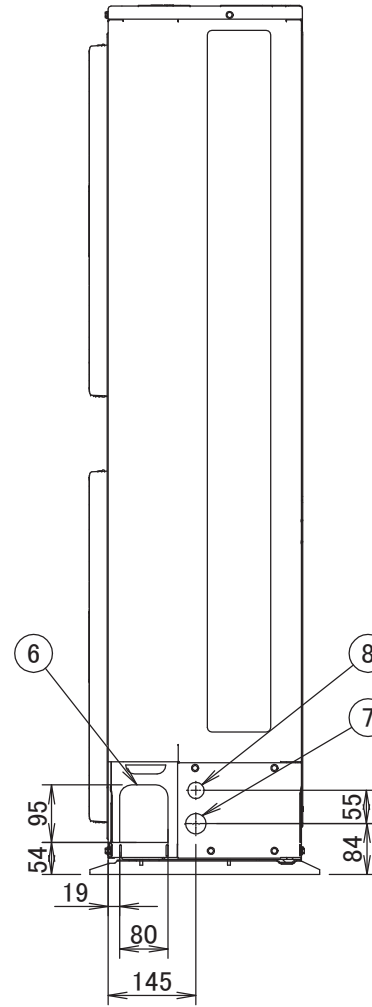
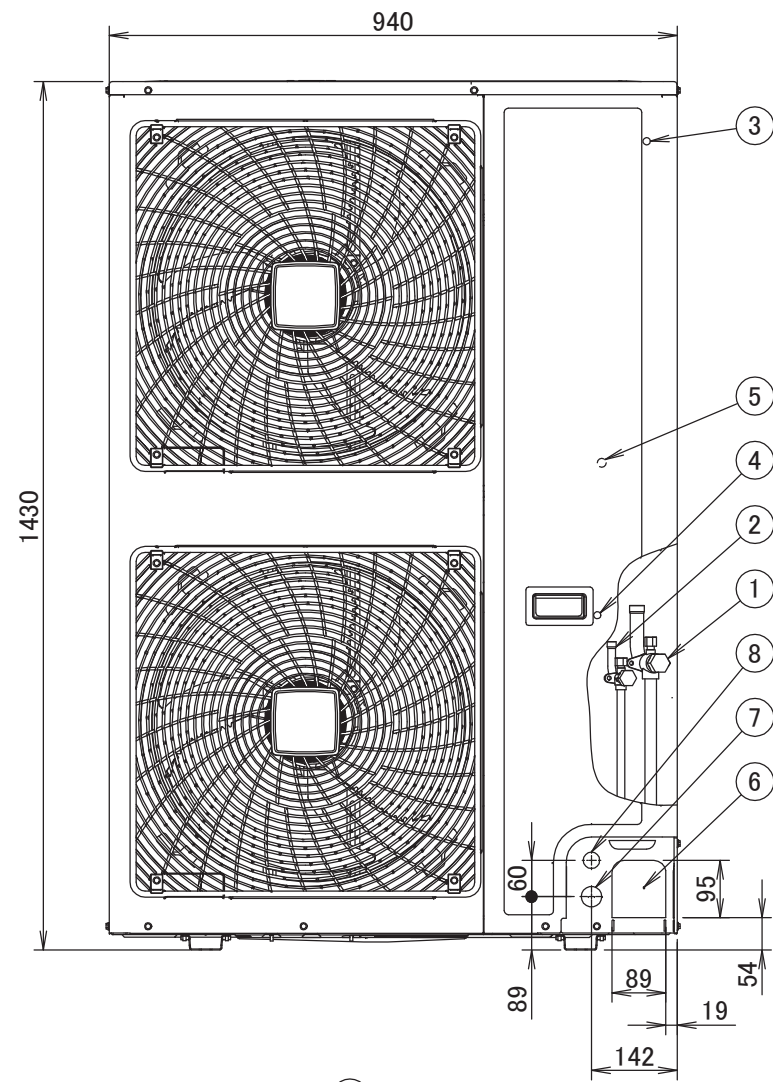
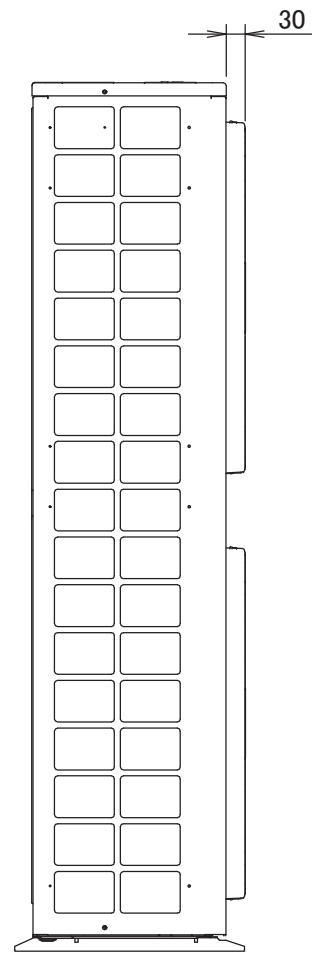
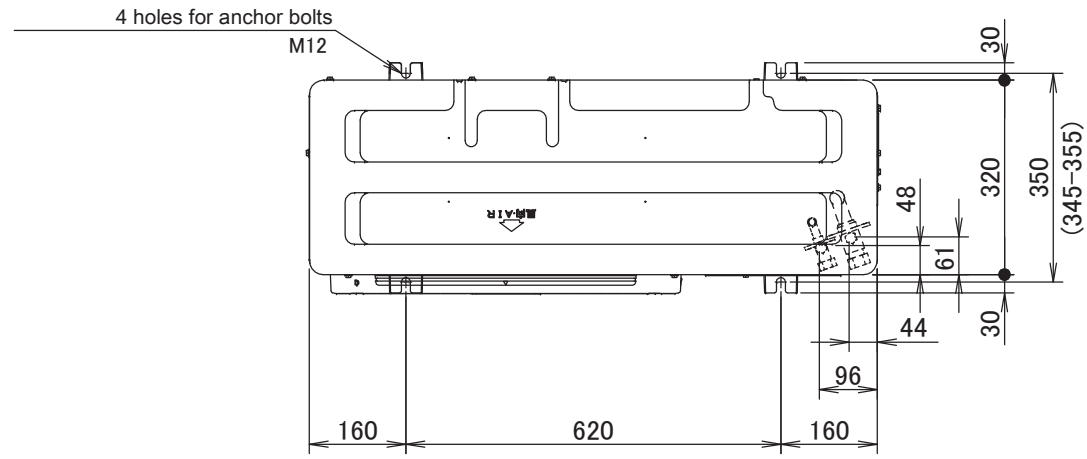


RXYSQ-TAY



- ① Gas pipe connection $\text{Ø}19.1$ brazing
- ② Liquid pipe connection $\text{Ø}9.52$ brazing
- ③ Service port (in the unit)
High pressure
- ④ Service port (in the unit)
Additional refrigerant charge
- ⑤ Grounding terminal
Inside of the switch box (M5)
- ⑥ Refrigerant piping intake (knockout hole)
- ⑦ Power supply wiring intake (knockout hole $\text{Ø}34$)
- ⑧ Control wiring intake (knockout hole $\text{Ø}27$)
- ⑨ Drain pipe connection (outside diameter $\text{Ø}26$)