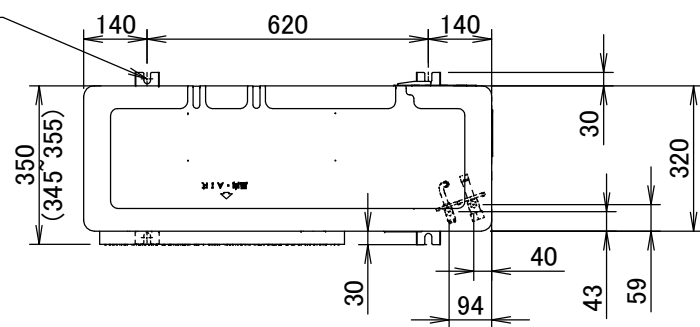


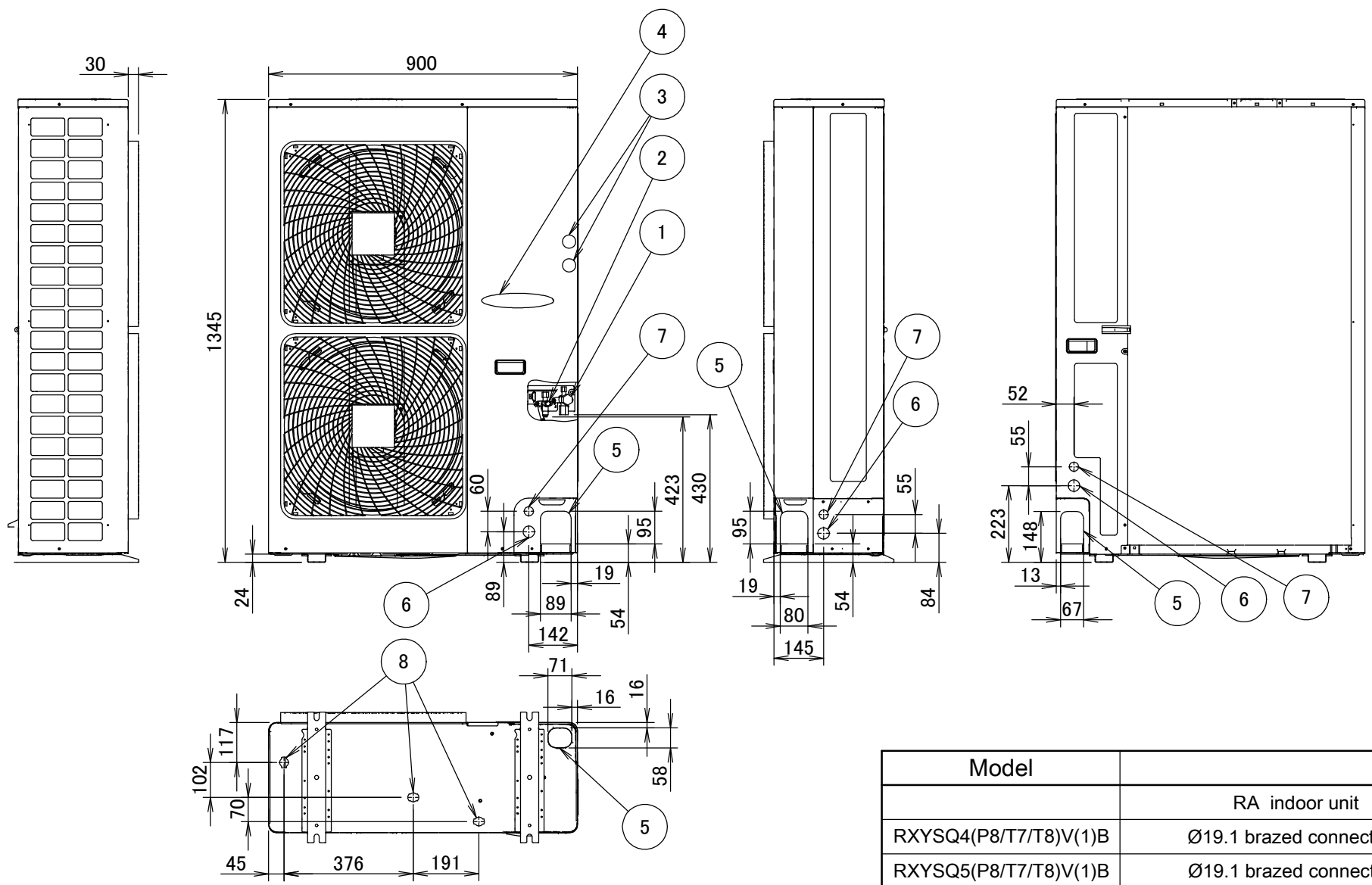
RXYSQ-TY9

RXYSQ-TV9

4 holes for anchor bolts
M12



1	Gas pipe connection A
2	Liquid pipe connection Ø9.5 flare
3	(2X) Service port (in the unit)
4	Electronic connection and grounding terminal M5 (in the switch box)
5	Refrigerant piping intake
6	Power supply wiring intake (knockout hole Ø34)
7	Control wiring intake (knockout hole Ø27)
8	Drain outlet



Model	A
RMXS112E8V1B	Ø19.1 brazed connection
RMXS140E8V1B	Ø19.1 brazed connection
RMXS160E8V1B	Ø19.1 brazed connection
RXYSQ4PA7V1B	Ø15.9 flared connection
RXYSQ5PA7V1B	Ø15.9 flared connection
RXYSQ6PA7V1B	Ø19.1 brazed connection
ERX100A9V1B	Ø15.9 flared connection
ERX125A9V1B	Ø15.9 flared connection
ERX140A9V1B	Ø19.1 brazed connection
GCA100BD4	Ø15.9 flared connection
GCA125BD4	Ø15.9 flared connection
GCA140BD4	Ø19.1 brazed connection
RXYSQ4PA7Y1B	Ø15.9 flared connection
RXYSQ5PA7Y1B	Ø15.9 flared connection
RXYSQ6PA7Y1B	Ø19.1 brazed connection

Model	A	
	RA indoor unit	VRV indoor unit
RXYSQ4(P8/T7/T8)V(1)B	Ø19.1 brazed connection	Ø15.9 flared connection
RXYSQ5(P8/T7/T8)V(1)B	Ø19.1 brazed connection	Ø15.9 flared connection
RXYSQ6(P8/T7/T8)V(1)B	Ø19.1 brazed connection	
RXYSQ4(P8/T7/T8)Y(1)B	Ø19.1 brazed connection	Ø15.9 flared connection
RXYSQ5(P8/T7/T8)Y(1)B	Ø19.1 brazed connection	Ø15.9 flared connection
RXYSQ6(P8/T7/T8)Y(1)B	Ø19.1 brazed connection	