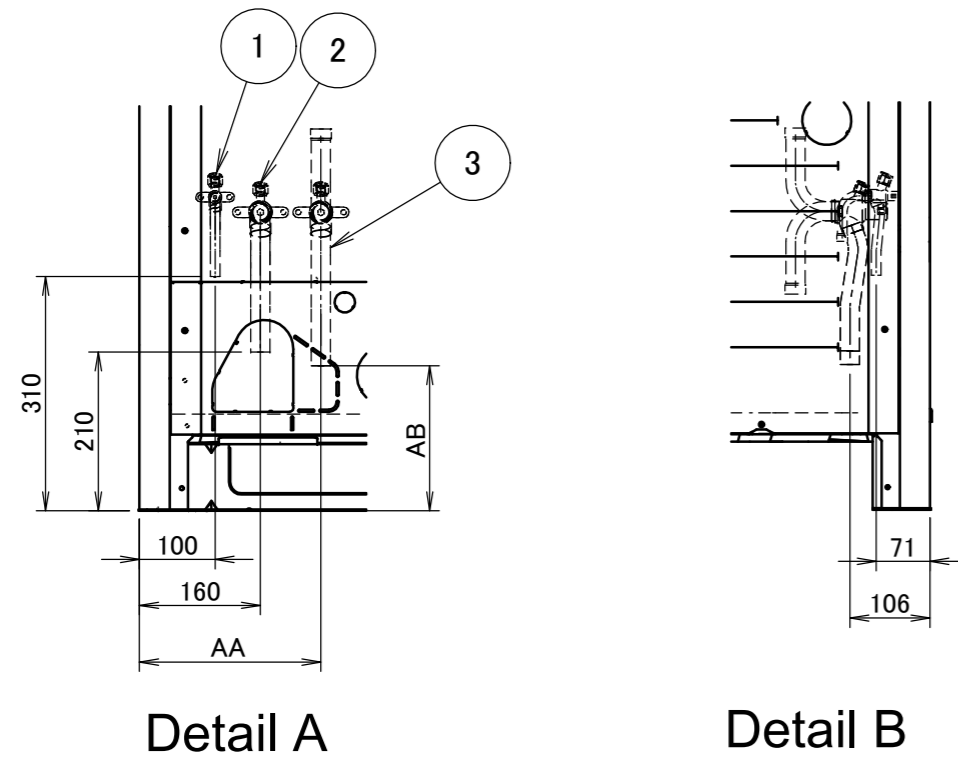
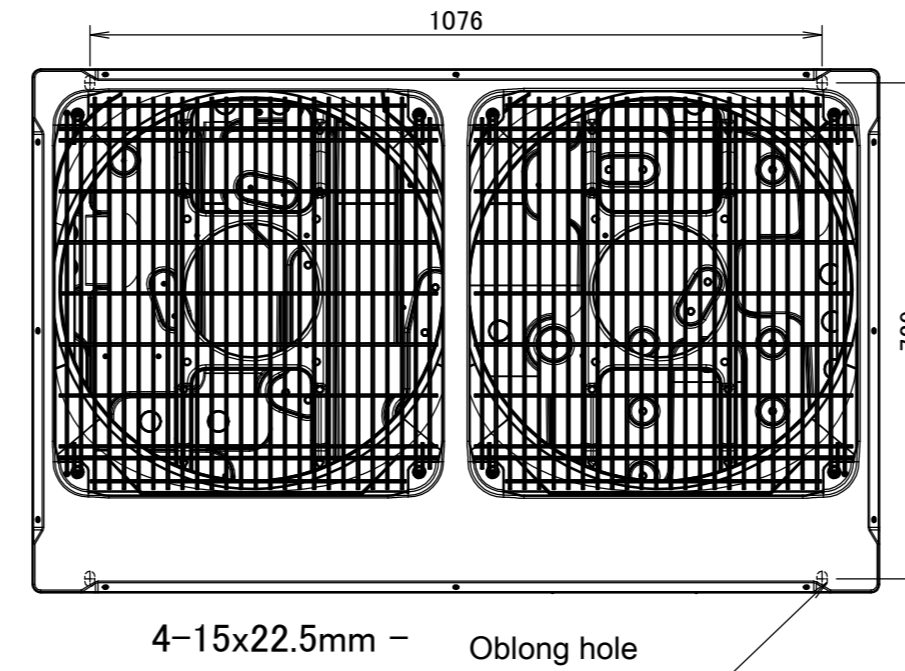


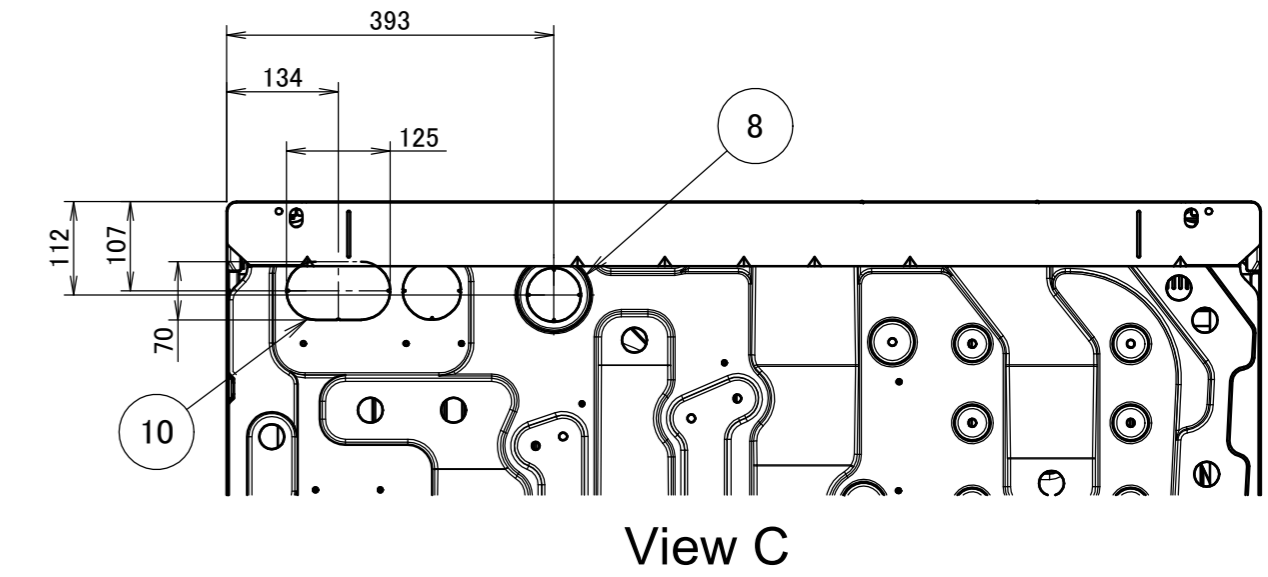
REYQ14-20U  
 RXYQQ14-20U  
 RXYQ14-20U  
 RXYTQ10-16U  
 RYYQ14-20U  
 RYMQ14-20U



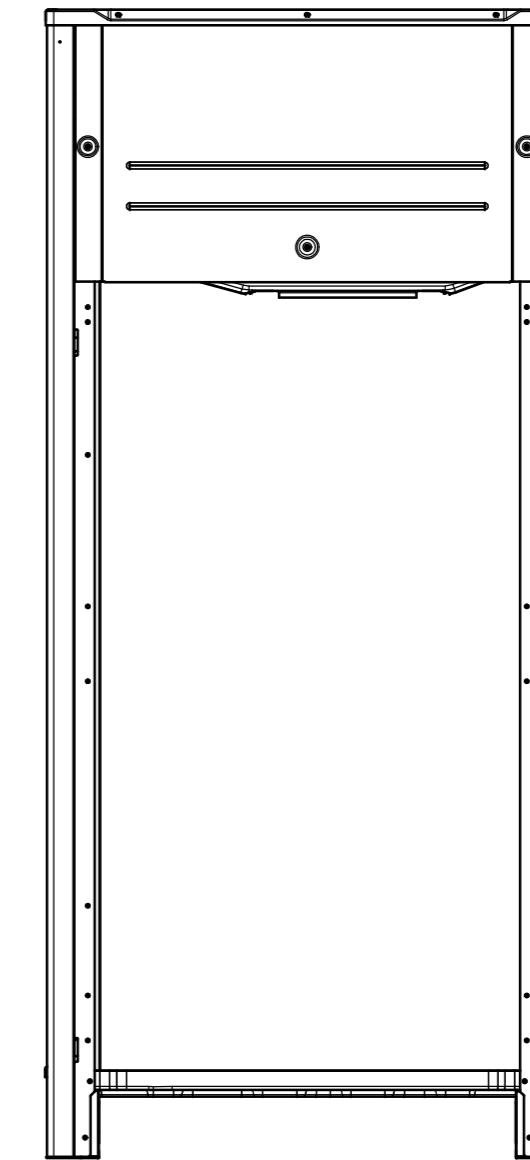
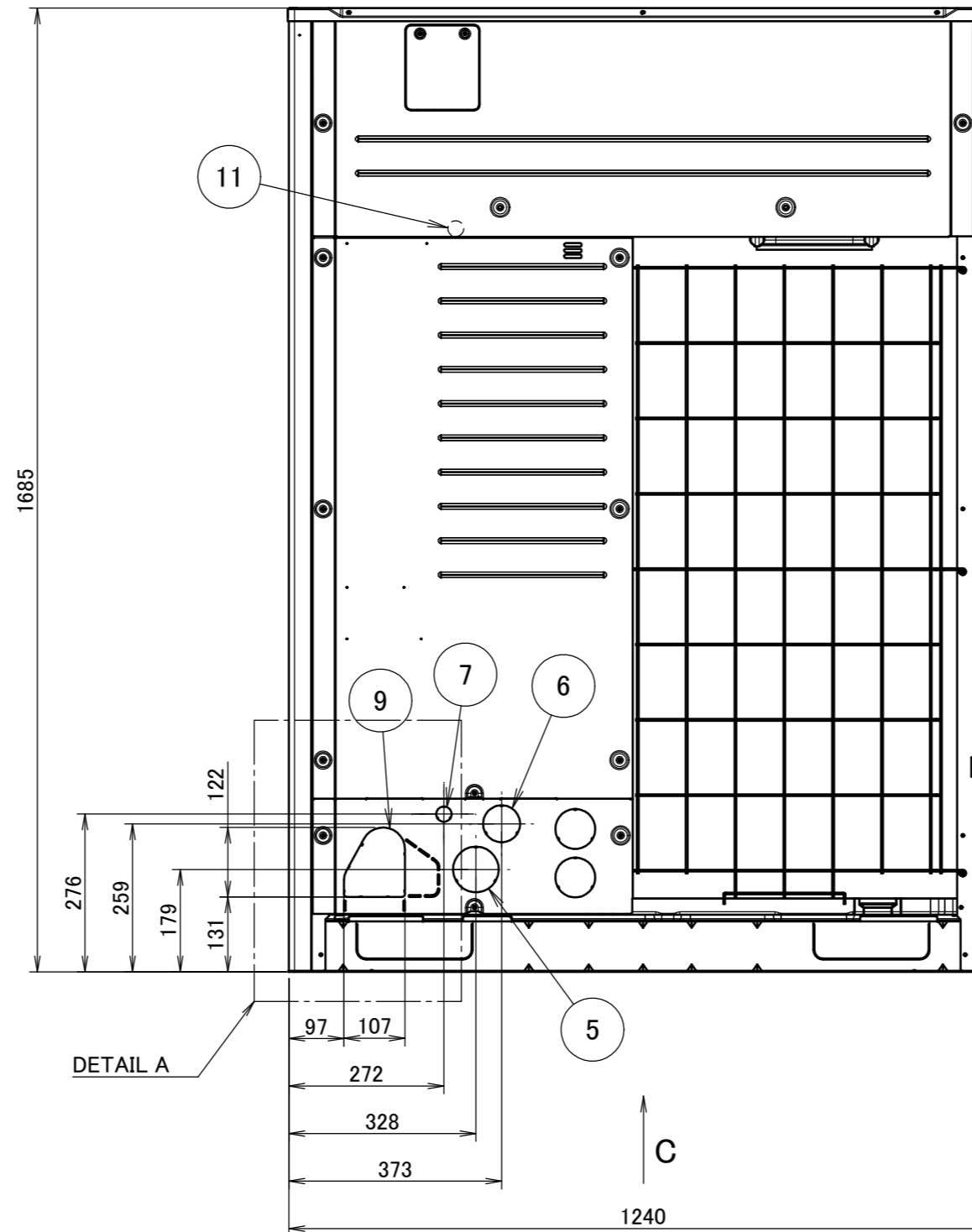
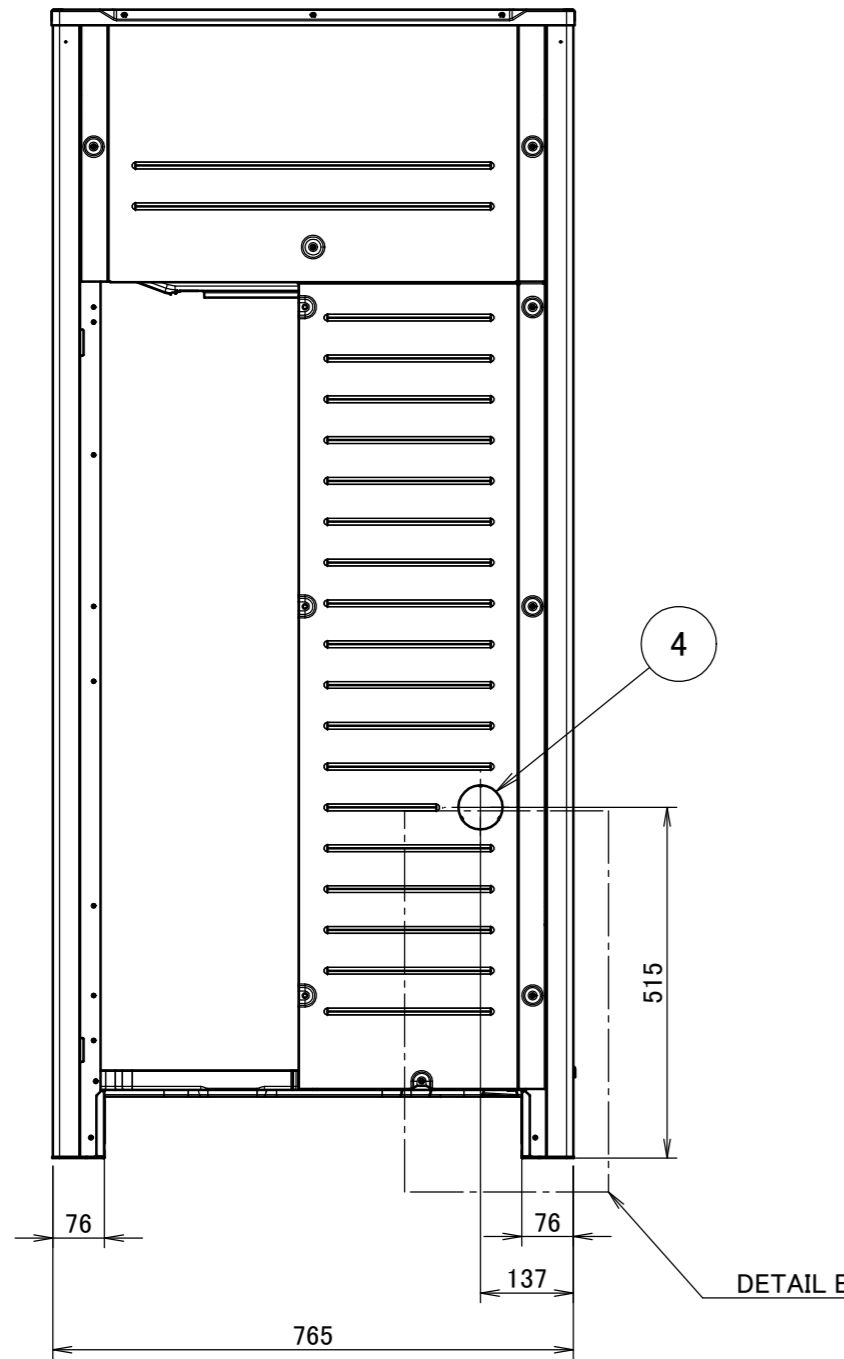
Pitch of foundation bolt holes



Pitch of foundation bolt holes



Foundation bolt hole



Notes

1. Detail A and detail B indicate the dimensions after fixing the attached piping. 1.

2. Items 4 - 10:

3. Gas pipe

RXYTQ10U, REYQ14-20U, RYYQ14-20U, RYMQ14-20U, RXYQ14-20U, RXYQQ14-20U, RXYTQ12-16U Liquid pipe

RXYTQ10U, RYYQ14-16U, RYMQ14-16U, RXYQ14-16U, RXYQQ14-16U, REYQ14-20U, RXYTQ12-16U Equalising pipe

RYMQ14-16U, High pressure/low pressure gas pipe, Ø 22.2 brazing connection

RYMQ18-20U, High pressure/low pressure gas pipe, Ø 28.6 brazing connection

REYQ14-20U, Ø 22.2 brazing connection

Knockout hole.

Ø 22.2 brazing connection

Ø 25.4 brazing connection

Ø 28.6 brazing connection

Ø 9.5 brazing connection

Ø 12.7 brazing connection

Ø 15.9 brazing connection

Model	AA	AB
RXYQ14-20U, RYYQ14-20U, RXYQQ14-20U, RXYTQ10-16U	-	-
RYMQ14-16U, REYQ14-20U	240	155
RYMQ18-20U	240	192

No.	Part name	Remark
11	Grounding terminal	
10	Pipe routing hole (bottom)	
9	Pipe routing hole (front)	Inside of the switch box (M8)
8	Power cord routing hole (bottom)	Ø65
7	Power cord routing hole (front)	Ø27
6	Power cord routing hole (front)	Ø65
5	Power cord routing hole (front)	Ø80
4	Power cord routing hole (side)	Ø65
3	Equalising pipe connection port High pressure/low pressure gas pipe	See note 3.
2	Gas pipe connection port	See note 3.
1	Liquid pipe connection port	See note 3.