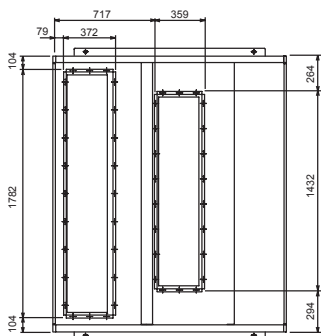


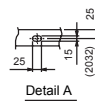
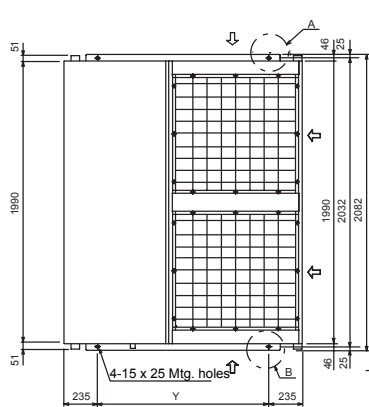
UATP450/560AY1

(unit: mm)

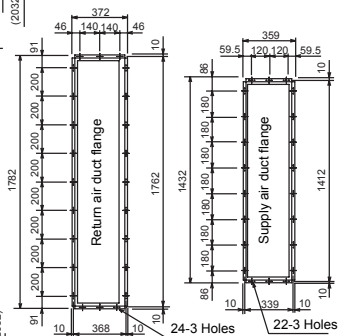
※ Except: Drain size: (unit inch)



View C (Bottom view)

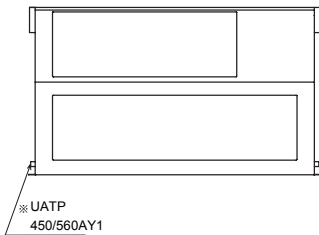


Detail A

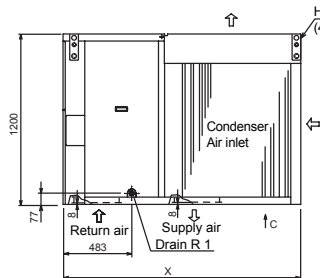


24-3 Holes

22-3 Holes



※ UATP
450/560AY1



Hangar (4 places)

Detail B

