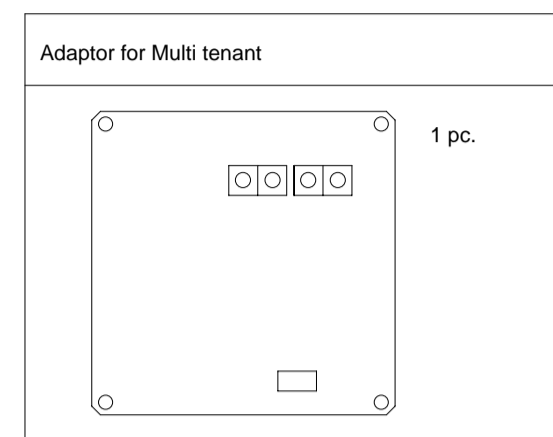


Accessories Check that the following accessories are provided with the adaptor before installation.



PCB support	4 pcs.
Tiewrap	4 pcs.
Relay harness	4 pcs. (see the table on the right-hand side for applicable models)
Installation Manual	1 pc.

Applicable models	Relay harness
FXFQ-P	
FXMQ-P	
BSVQ-P	
FXAQ-M	

Note

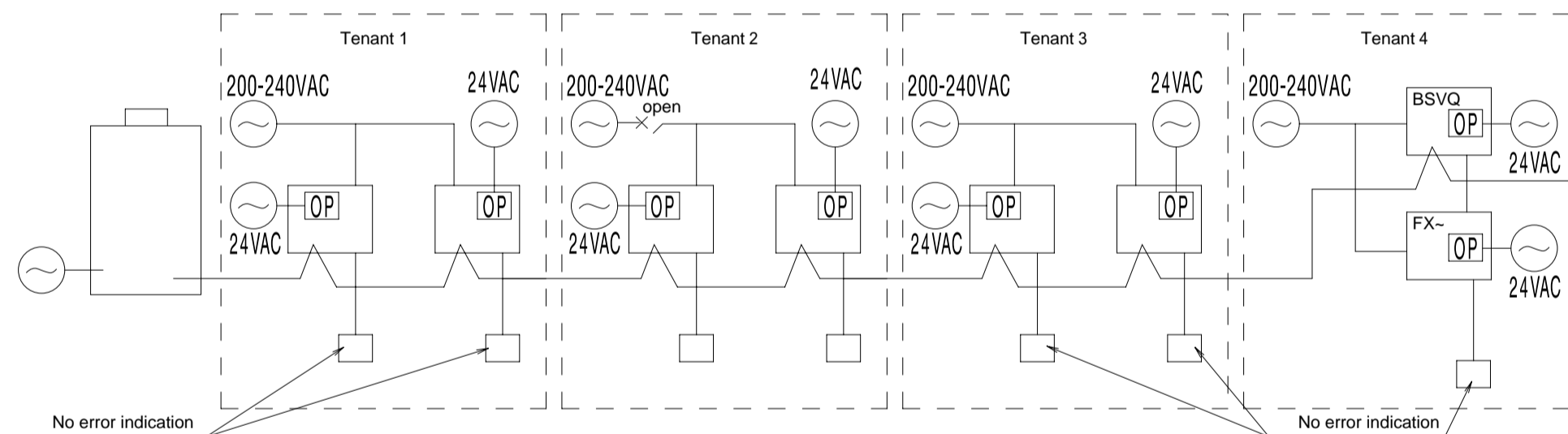
• An adaptor mounting plate and mounting box are required in addition to the provided component parts in the case of mounting the adaptor to the following models.

FXFQ-P: KRP1H98
FXMQ-P: KRP4A96
FXAQ-M: KRP4A93

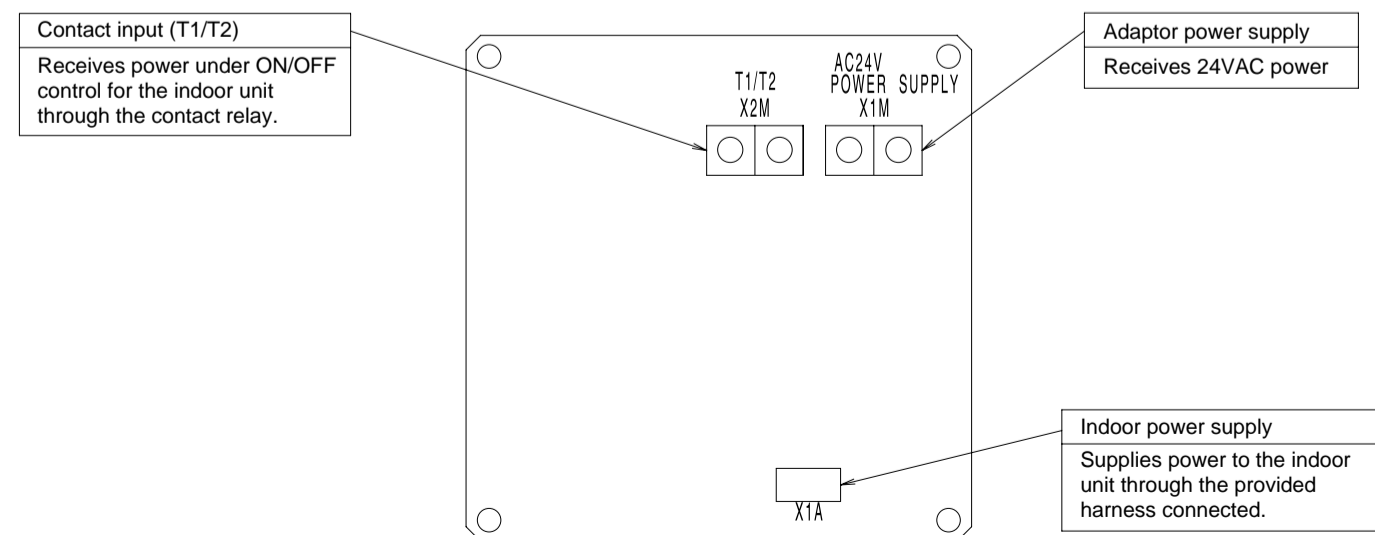
• Both ends of harness are for connection of PCB of indoor unit (or BS unit) and for connection of adaptor for multi tenant. Be careful when connecting them.

1 GENERAL DESCRIPTION OF SYSTEM

• The use of this adaptor allows the system to operate with no system error indication in the event of the interruption of power supply to other indoor units. (In the case of the following diagram, there will be no error indication on the remote controllers of tenant 1 or tenant 3 or tenant 4 in the event of the interruption of power supply to tenant 2.)

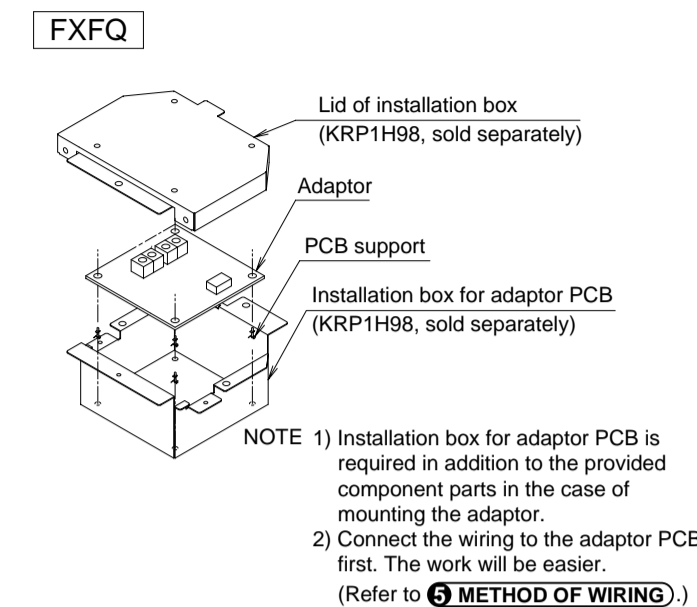


2 NAMES AND FUNCTIONS



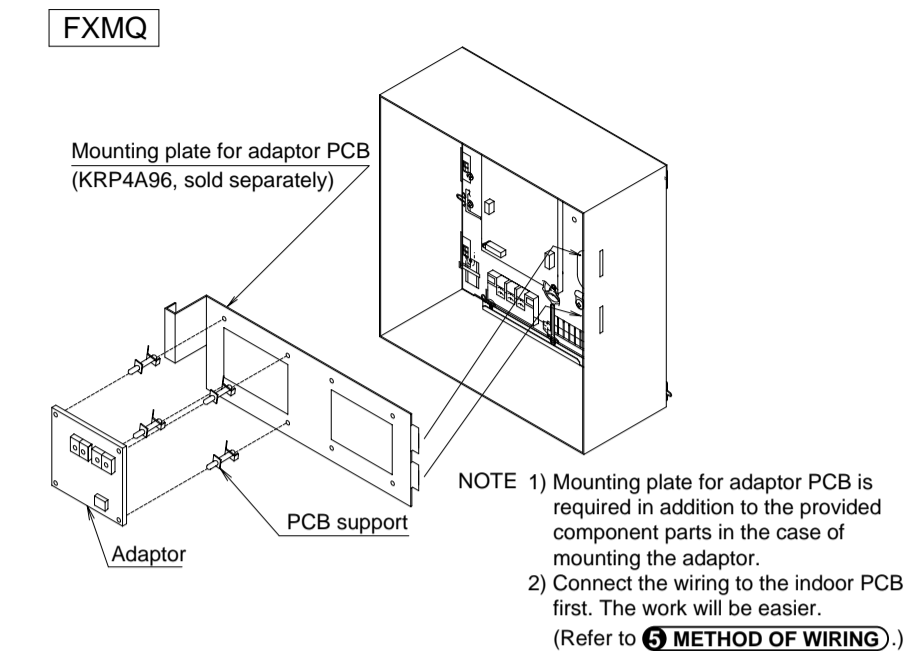
3 INSTALLATION

«Ceiling-mounted Cassette Round-flow Type»



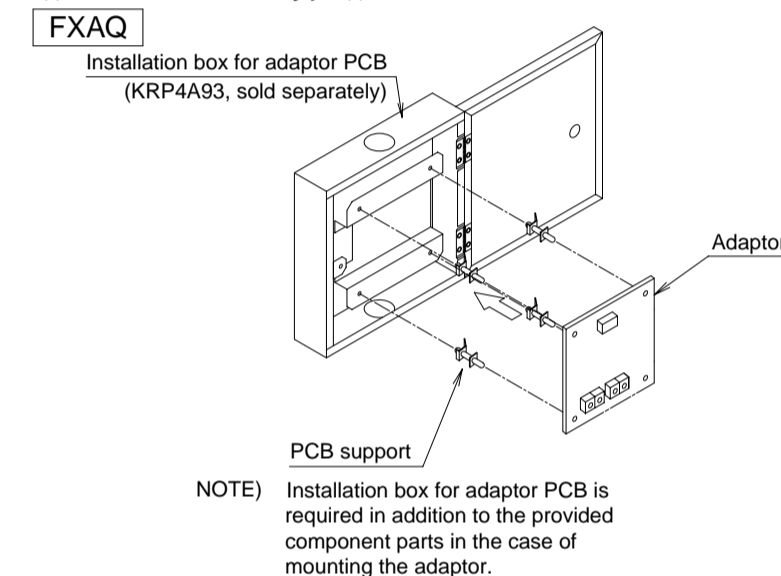
NOTE 1) Installation box for adaptor PCB is required in addition to the provided component parts in the case of mounting the adaptor.
2) Connect the wiring to the adaptor PCB first. The work will be easier. (Refer to **5 METHOD OF WIRING**.)

«Ceiling-mounted Duct Type»



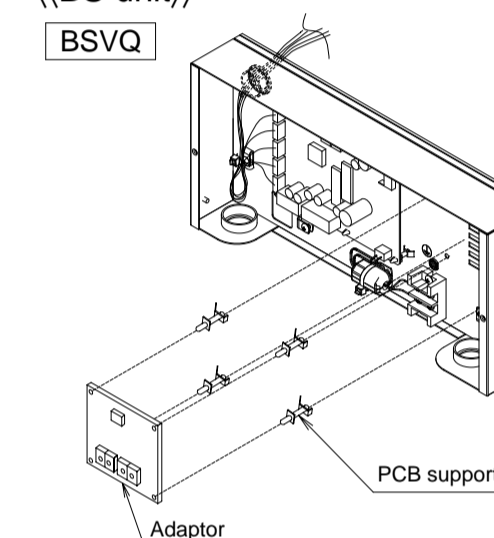
NOTE 1) Mounting plate for adaptor PCB is required in addition to the provided component parts in the case of mounting the adaptor.
2) Connect the wiring to the indoor PCB first. The work will be easier. (Refer to **5 METHOD OF WIRING**.)

«Wall-mounted type»

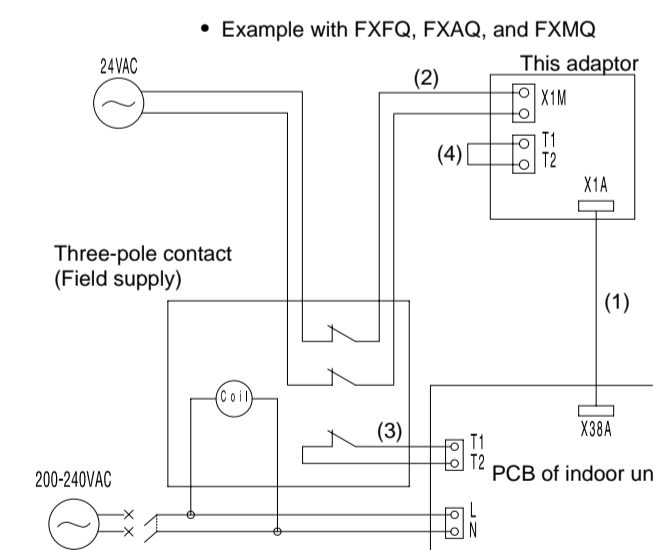


NOTE Installation box for adaptor PCB is required in addition to the provided component parts in the case of mounting the adaptor.

«BS unit»



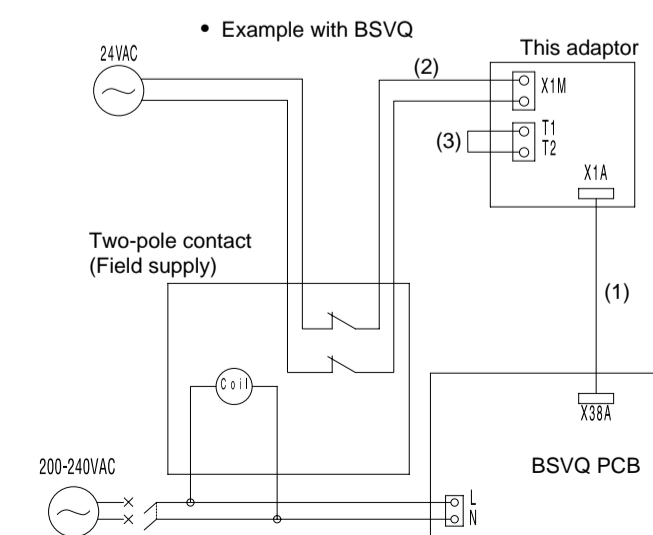
4 ELECTRIC WIRING



(1) Connect this adaptor and the PCB of the indoor unit with the provided relay harness (varying with each indoor unit model).
(2) Connect the 24VAC ($\pm 20\%$) power supply to the X1M terminals of the adaptor through the normally closed contacts of the relay. Be sure to contact the relay contacts to both poles of the power supply so that the positive and negative lines of the power supply will be turned off simultaneously. A transformer may be used for the 24VAC power supply provided for each adaptor on the condition that the transformer has a capacity of 24VA or over.
(3) Provide a relay (with a normally closed contact) between the T1 and T2 terminals of the PCB.

Minimum contact load: 1mA normally closed contact at 15VDC
Rated current: 3 A min.
Wire specifications: Vinyl cord with sheath or cable (2 wire)
Wiring thickness: 0.75 to 1.25 mm²
Wiring length: 100 m max.

(4) Short-circuit the T1 and T2 terminals of the adaptor.



(1) Connect the adaptor and BSVQ PCB through the relay harness.
(2) Connect the 24VAC ($\pm 20\%$) power supply to the X1M terminals of the adaptor through the normally closed contacts of the relay. Be sure to contact the relay contacts to both poles of the power supply so that the positive and negative lines of the power supply will be turned off simultaneously. A transformer may be used for the 24VAC power supply provided for each adaptor on the condition that the transformer has a capacity of 24VA or over.

(3) Short-circuit the T1 and T2 terminals of the adaptor.

Minimum contact load: 1mA normally closed contact at 15VDC
Rated current: 3 A min.
Wire specifications: Vinyl cord with sheath or cable (2 wire)
Wiring thickness: 0.75 to 1.25 mm²
Wiring length: 100 m max.